

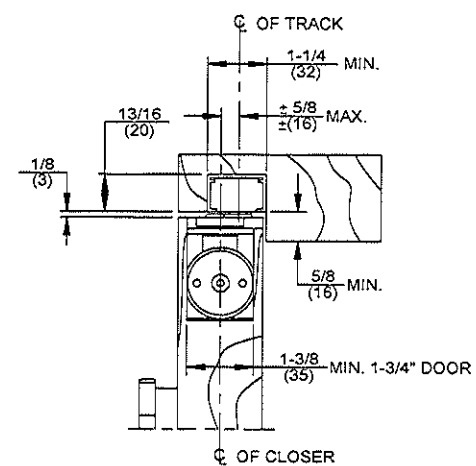
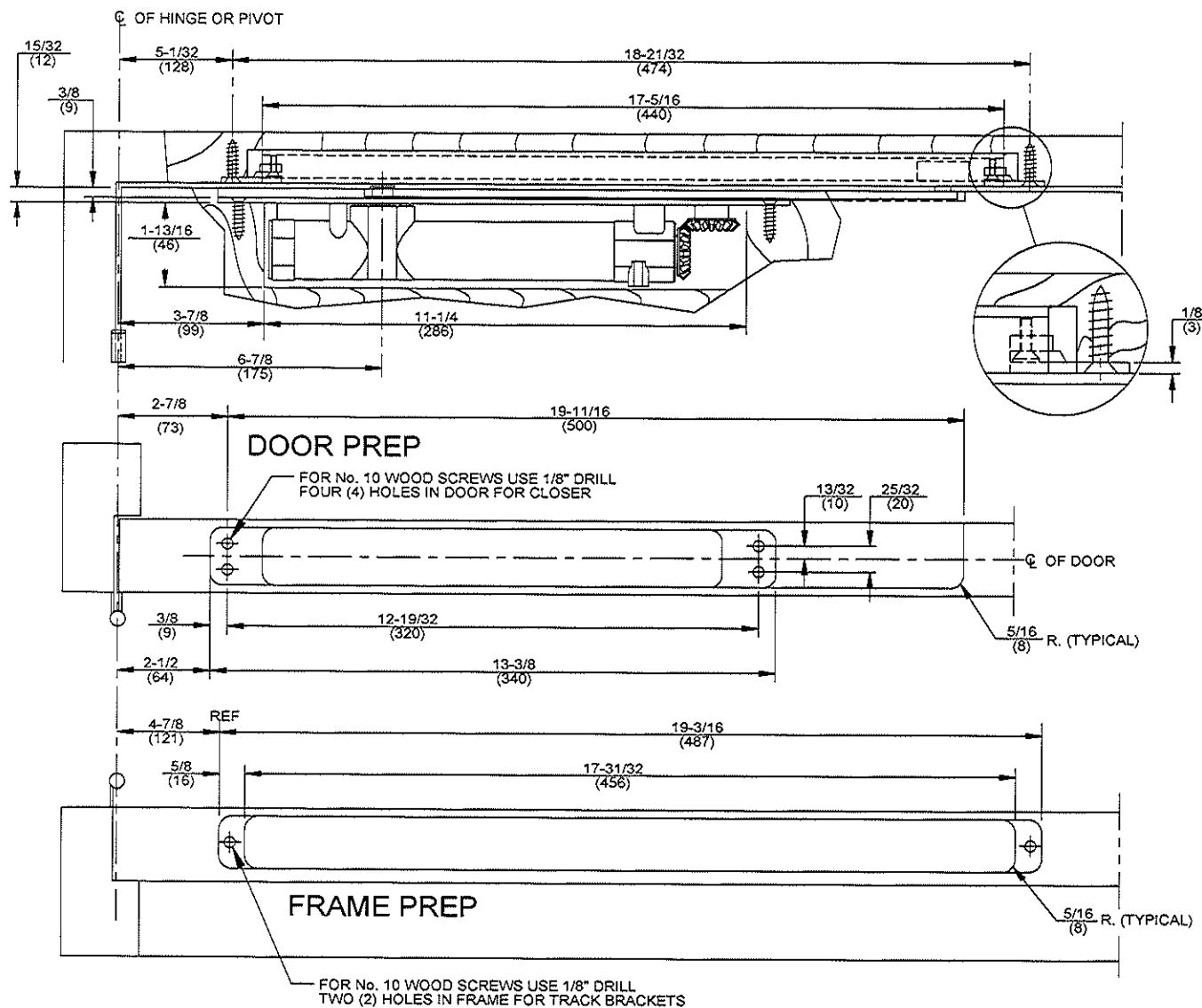
NOTES:

1. DO NOT SCALE DRAWING.
2. DIMENSIONS ARE IN INCHES/(MM).
3. RIGHT HAND DOOR SHOWN.
4. MAXIMUM OPENING APPROX. 130°
5. HOLD OPEN RANGE 80°-120°.
6. DOOR HUNG ON 4-1/2" X 4-1/2" BUTT HINGES OR 3/4" OFFSET PIVOTS.
7. ITS96 MAY BE USED ON LABELED WOOD DOORS PENDING APPROVAL OF WOOD DOOR MANUFACTURER.
8. SEE BROCHURE FOR MAXIMUM DOOR WIDTH.

DOOR CLOSER MODEL: ITS9613 STD
 CLOSER IN DOOR TRACK IN FRAME
 (WOOD DOOR AND FRAME)



DORMA Architectural Hardware
 Reamstown, PA 17567



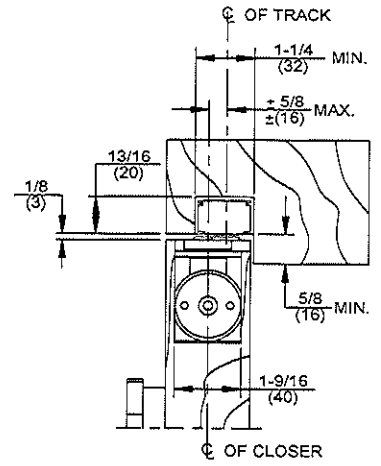
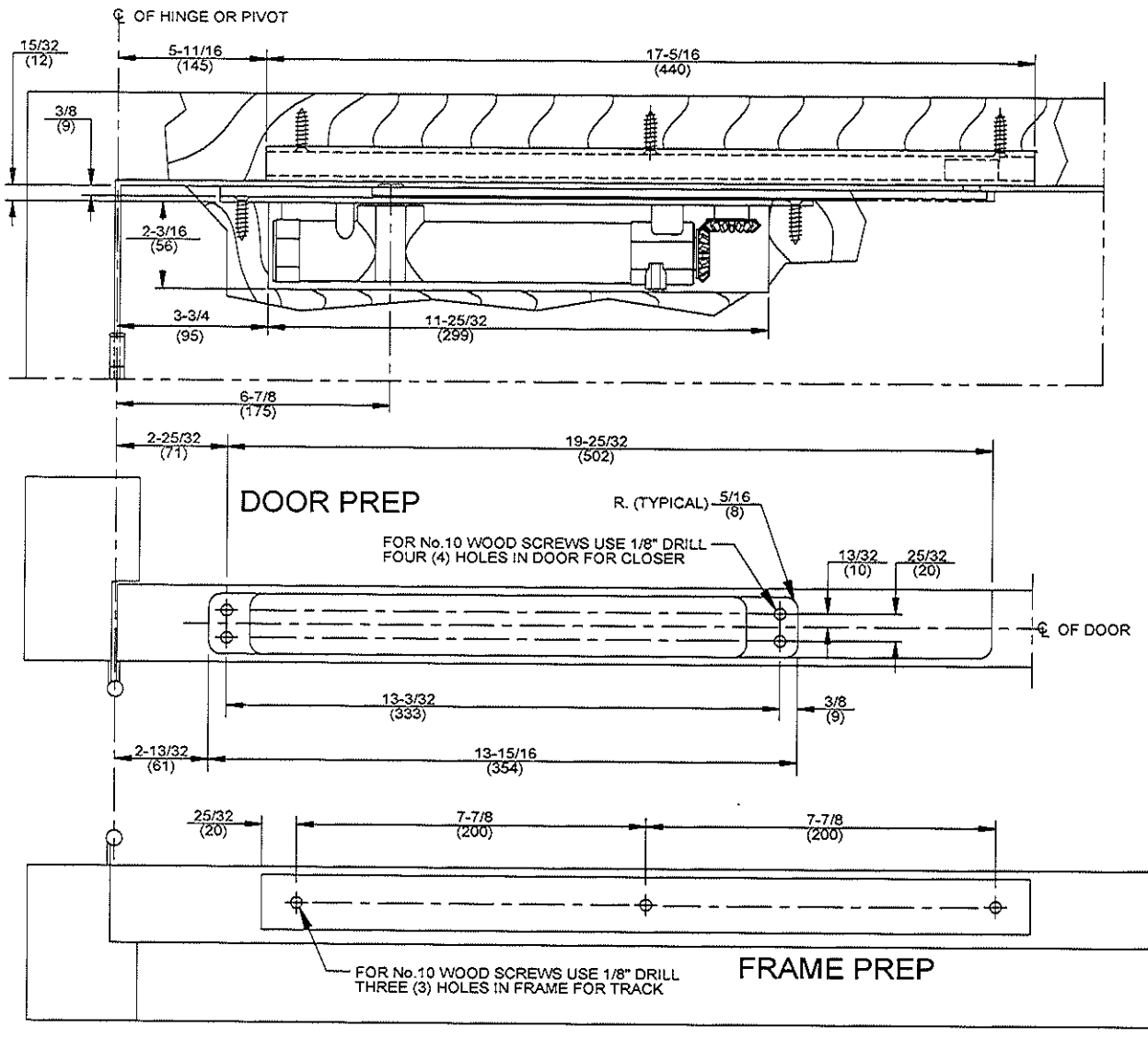
NOTES:

1. DO NOT SCALE DRAWING.
2. DIMENSIONS ARE IN INCHES/(MM).
3. RIGHT HAND DOOR SHOWN.
4. MAXIMUM OPENING APPROX. 130°
5. HOLD OPEN RANGE 80°-120°.
6. DOOR HUNG ON 4-1/2" X 4-1/2" BUTT HINGES OR 3/4" OFFSET PIVOTS.
7. ITS96 MAY BE USED ON LABELED WOOD DOORS PENDING APPROVAL OF WOOD DOOR MANUFACTURER.
8. SEE BROCHURE FOR MAXIMUM DOOR WIDTH.

DOOR CLOSER MODEL: ITS9613 STD
 CLOSER IN DOOR TRACK IN FRAME
 WITH ACCESSORY TRACK BRACKETS 08082820
 (WOOD DOOR AND FRAME)



DORMA Architectural Hardware
 Reamstown, PA 17567



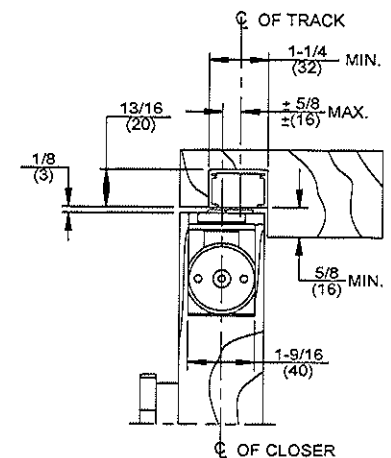
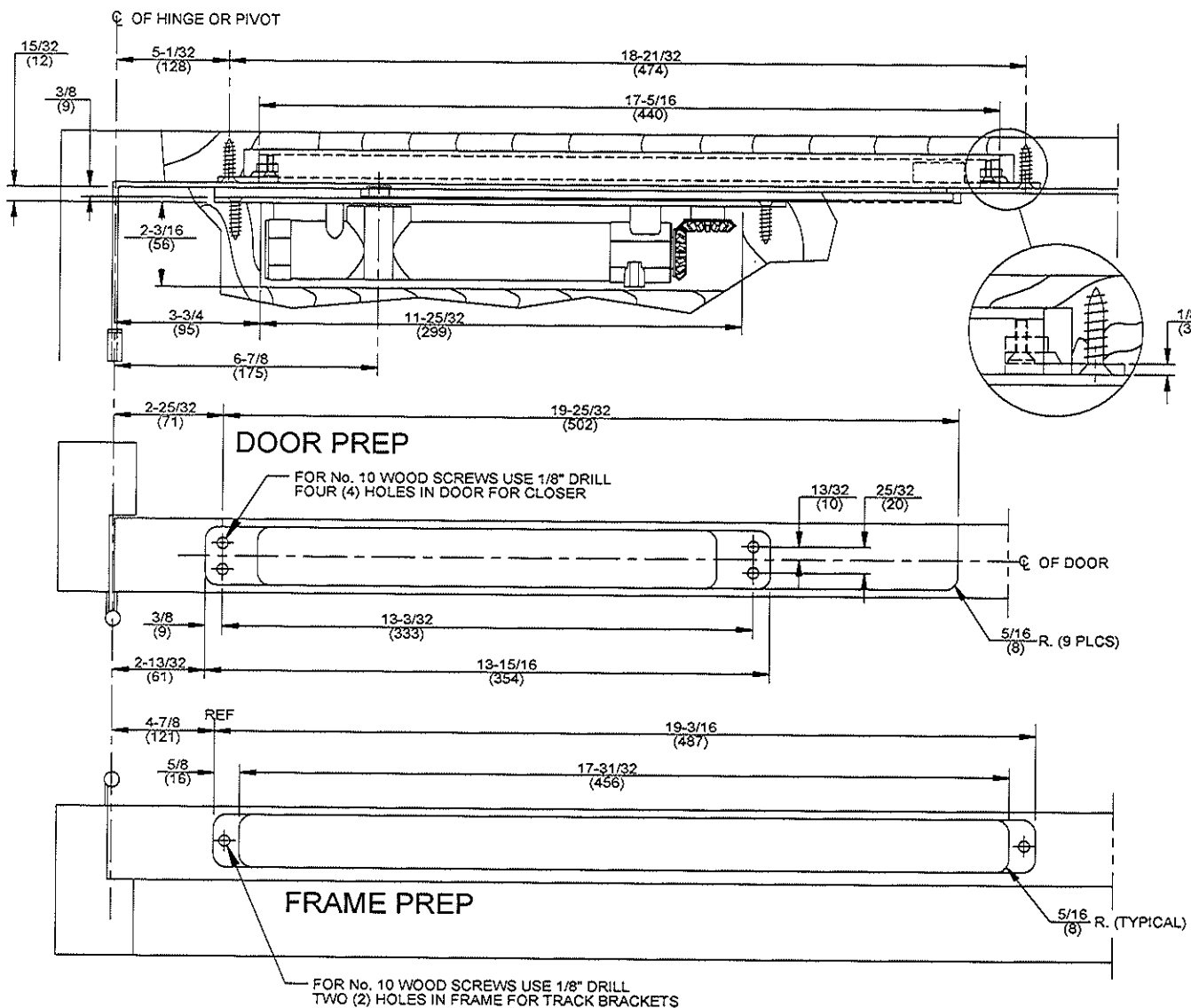
NOTES:

1. DO NOT SCALE DRAWING.
2. DIMENSIONS ARE IN INCHES/(MM).
3. RIGHT HAND DOOR SHOWN.
4. MAXIMUM OPENING APPROX. 130°
5. HOLD OPEN RANGE 80°-120°.
6. DOOR HUNG ON 4-1/2" X 4-1/2" BUTT HINGES OR 3/4" OFFSET PIVOTS.
7. ITS96 MAY BE USED ON LABELED WOOD DOORS PENDING APPROVAL OF WOOD DOOR MANUFACTURER.
8. SEE BROCHURE FOR MAXIMUM DOOR WIDTH.

DOOR CLOSER MODEL: ITS9625
 CLOSER IN DOOR TRACK IN FRAME
 (WOOD DOOR AND FRAME)



DORMA Architectural Hardware
 Reamstown, PA 17567

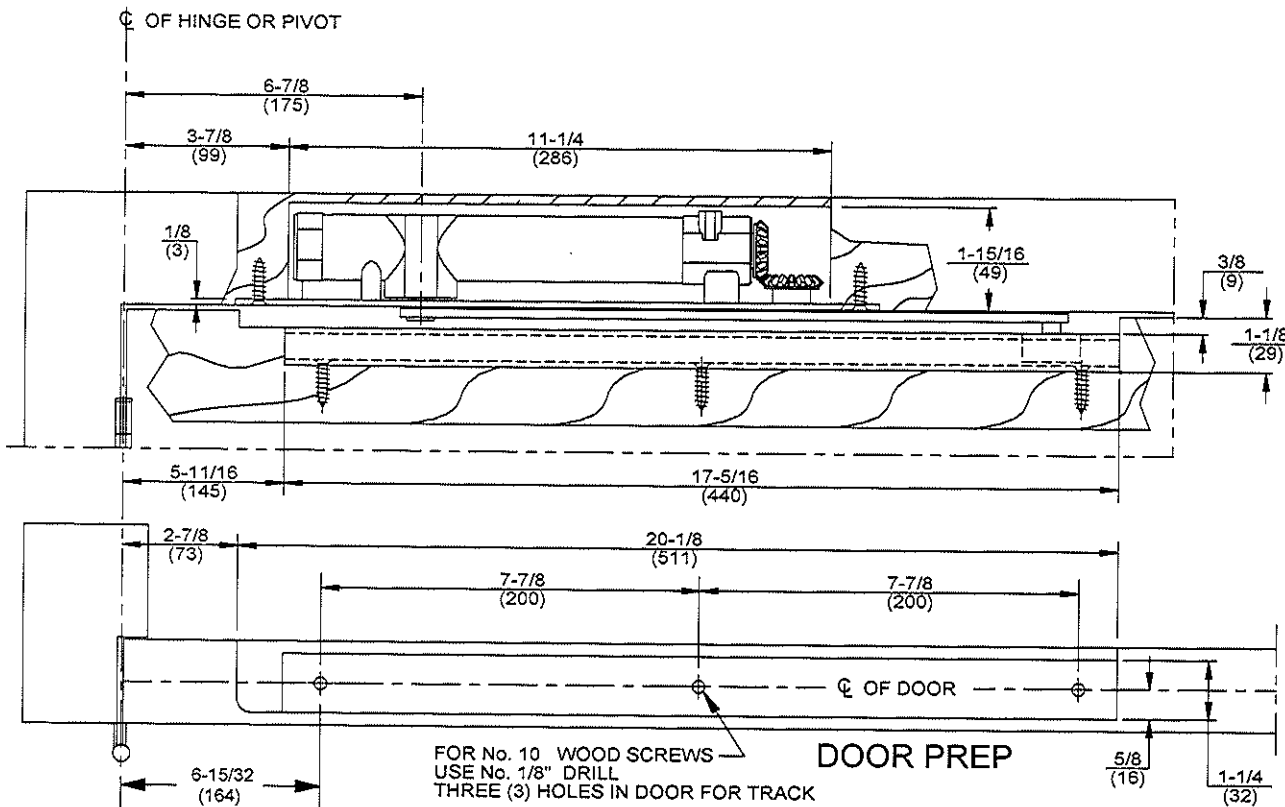


- NOTES:
1. DO NOT SCALE DRAWING.
 2. DIMENSIONS ARE IN INCHES/(MM).
 3. RIGHT HAND DOOR SHOWN.
 4. MAXIMUM OPENING APPROX. 130°
 5. HOLD OPEN RANGE 80°-120°.
 6. DOOR HUNG ON 4-1/2" X 4-1/2" BUTT HINGES OR 3/4" OFFSET PIVOTS.
 7. ITS96 MAY BE USED ON LABELED WOOD DOORS PENDING APPROVAL OF WOOD DOOR MANUFACTURER.
 8. SEE BROCHURE FOR MAXIMUM DOOR WIDTH.

DOOR CLOSER MODEL: ITS9625
 CLOSER IN DOOR TRACK IN FRAME
 WITH ACCESSORY TRACK BRACKETS
 (WOOD DOOR AND FRAME)

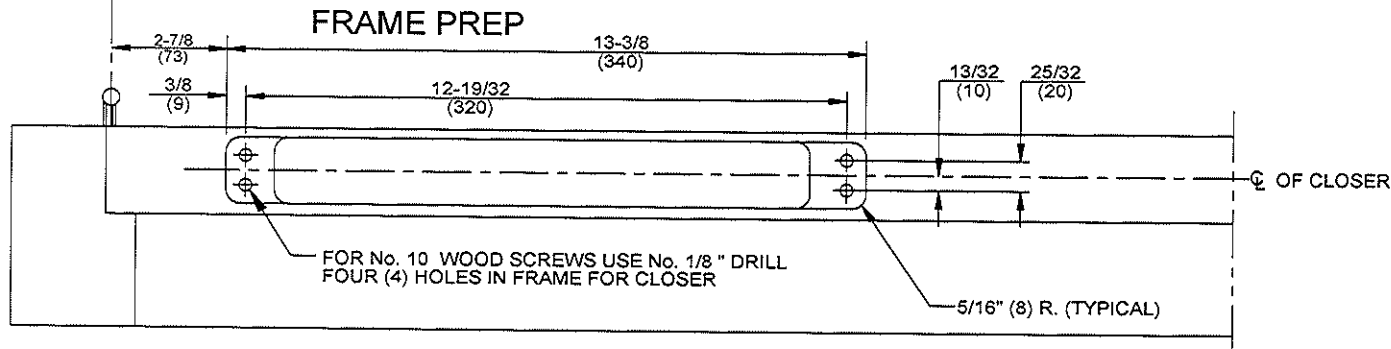


DORMA Architectural Hardware
 Reamstown, PA 17567



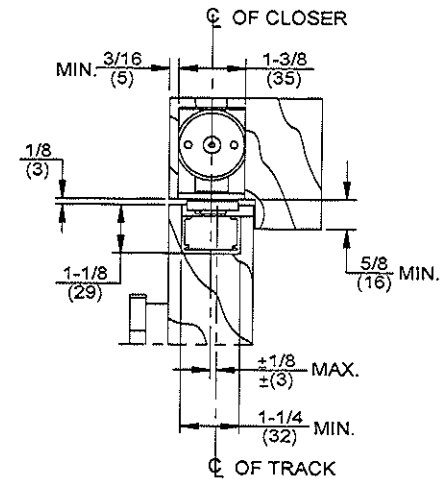
FOR No. 10 WOOD SCREWS
 USE No. 1/8" DRILL
 THREE (3) HOLES IN DOOR FOR TRACK

DOOR PREP



FRAME PREP

FOR No. 10 WOOD SCREWS USE No. 1/8" DRILL
 FOUR (4) HOLES IN FRAME FOR CLOSER



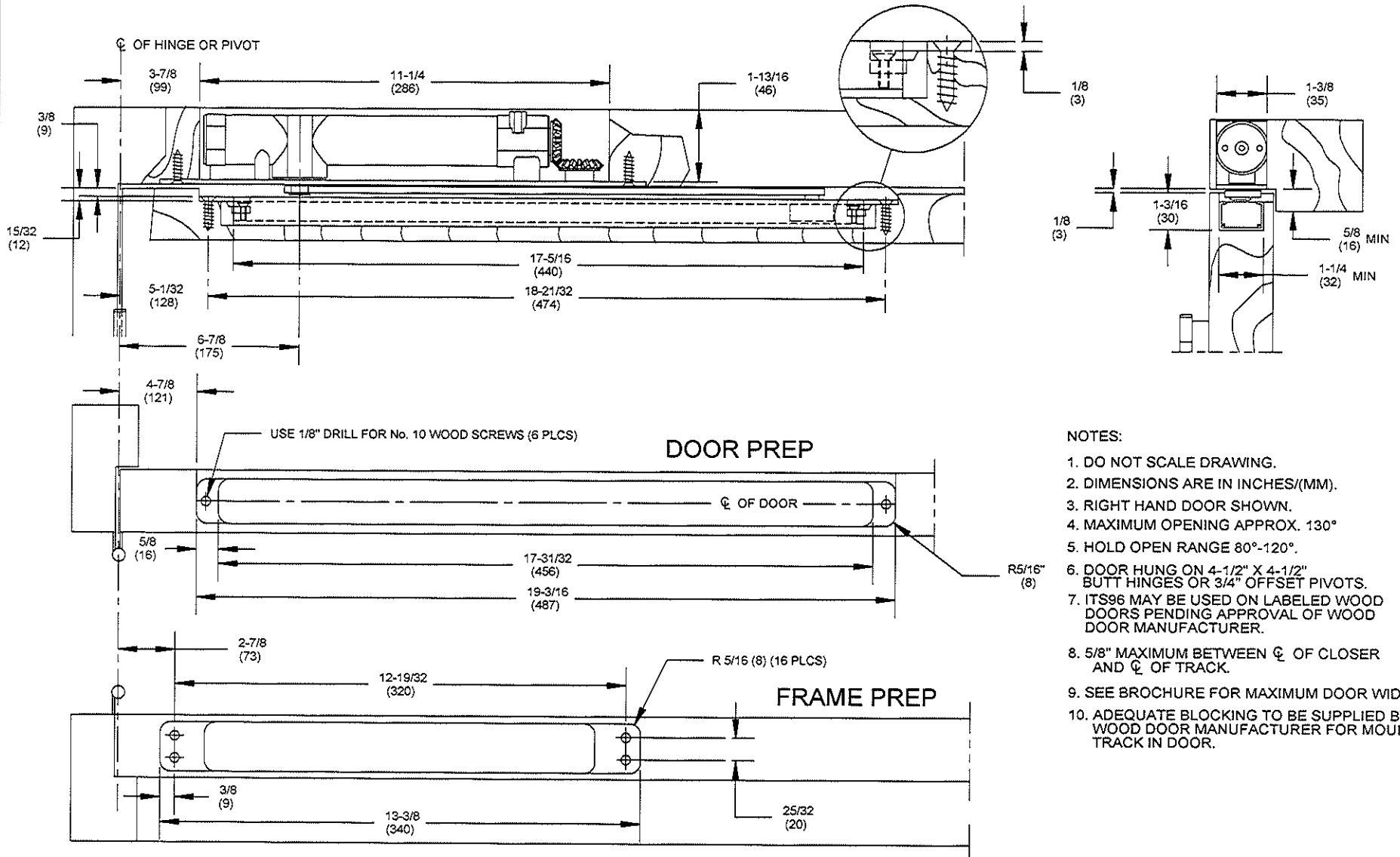
NOTES:

1. DO NOT SCALE DRAWING.
2. DIMENSIONS ARE IN INCHES/(MM).
3. RIGHT HAND DOOR SHOWN.
4. MAXIMUM OPENING APPROX. 130°
5. HOLD OPEN RANGE 80°-120°.
6. DOOR HUNG ON 4-1/2" X 4-1/2" BUTT HINGES OR 3/4" OFFSET PIVOTS.
7. ITS96 MAY BE USED ON LABELED WOOD DOORS PENDING APPROVAL OF WOOD DOOR MANUFACTURER.
8. ADEQUATE BLOCKING TO BE SUPPLIED BY WOOD DOOR MANUFACTURER FOR MOUNTING TRACK IN DOOR.
9. SEE BROCHURE FOR MAXIMUM DOOR WIDTH.

DOOR CLOSER MODEL: ITS9613 INV
 CLOSER IN FRAME TRACK IN DOOR
 (WOOD DOOR AND FRAME)



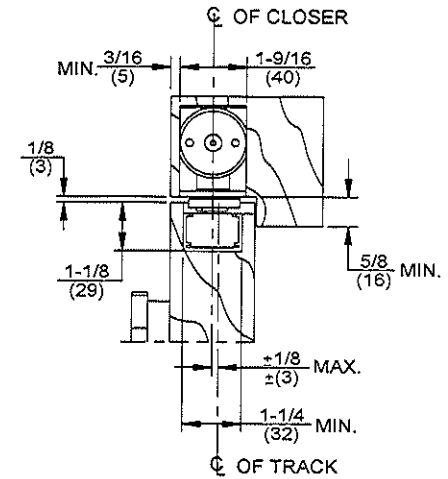
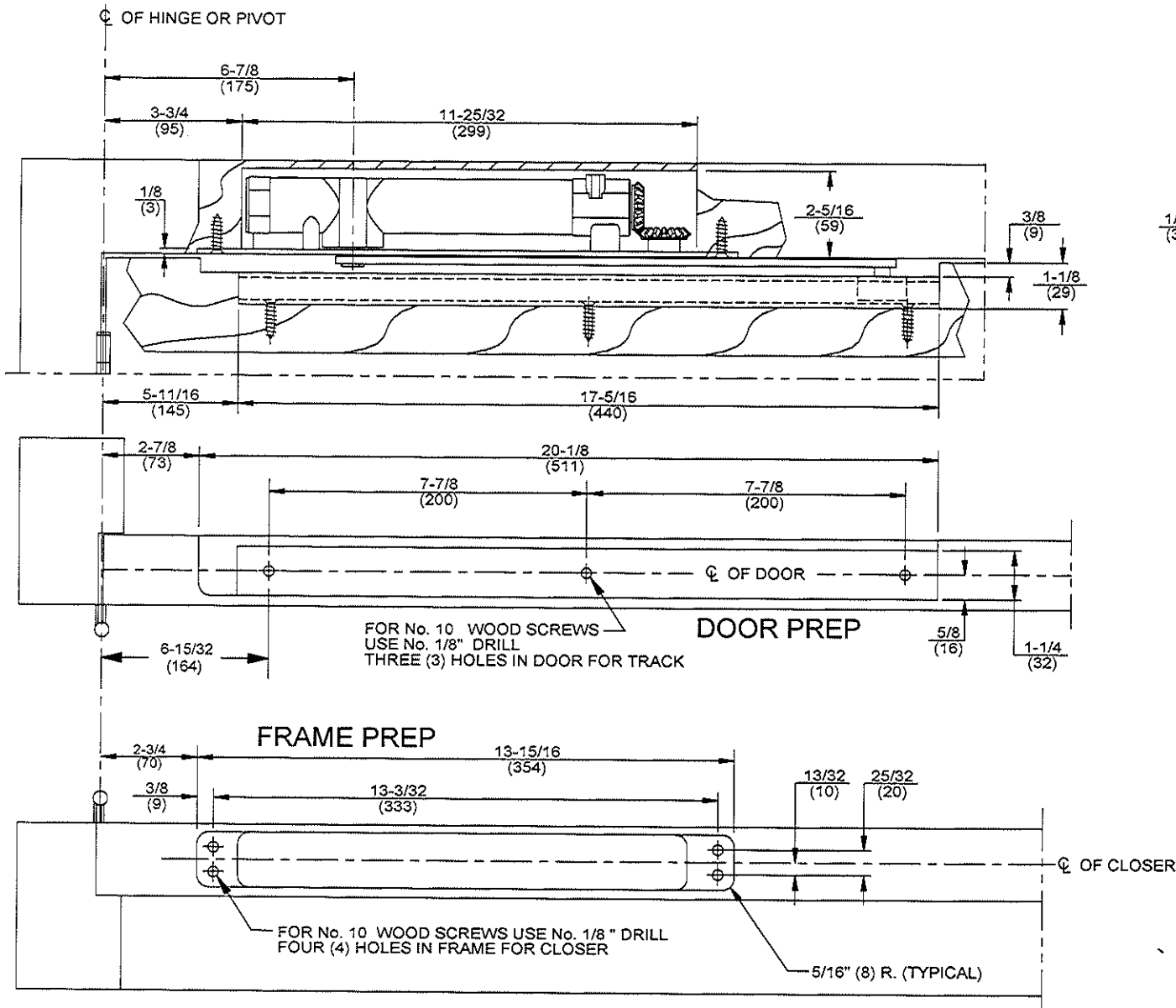
DORMA Architectural Hardware
 Reamstown, PA 17567



DOOR CLOSER MODEL: ITS9613
 CLOSER IN FRAME, TRACK IN DOOR
 WITH ACCESSORY TRACK BRACKETS
 (WOOD DOOR AND FRAME)



DORMA Architectural Hardware
 Reamstown, PA 17567



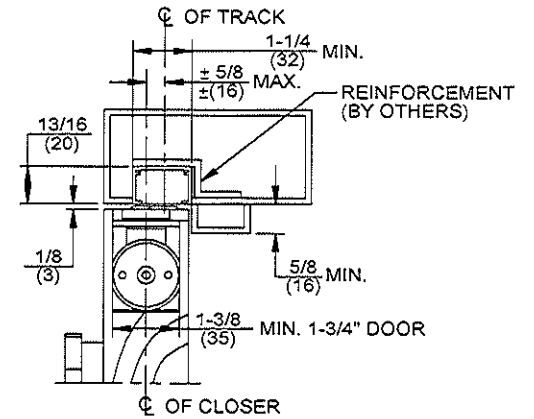
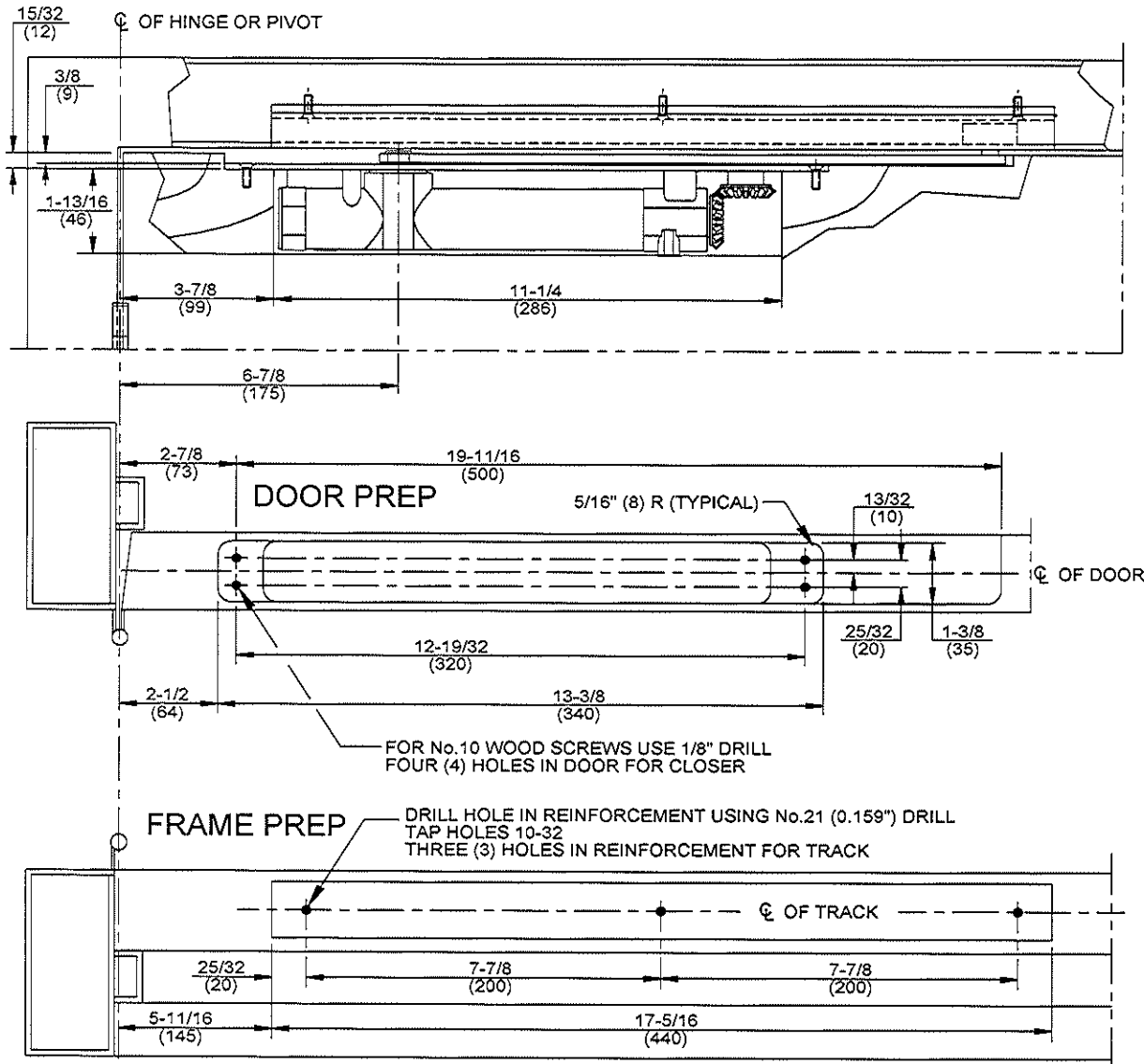
NOTES:

1. DO NOT SCALE DRAWING.
2. DIMENSIONS ARE IN INCHES/(MM).
3. RIGHT HAND DOOR SHOWN.
4. MAXIMUM OPENING APPROX. 130°
5. HOLD OPEN RANGE 80°-120°.
6. DOOR HUNG ON 4-1/2" X 4-1/2" BUTT HINGES OR 3/4" OFFSET PIVOTS.
7. ITS96 MAY BE USED ON LABELED WOOD DOORS PENDING APPROVAL OF WOOD DOOR MANUFACTURER.
8. ADEQUATE BLOCKING TO BE SUPPLIED BY WOOD DOOR MANUFACTURER FOR MOUNTING TRACK IN DOOR.
9. SEE BROCHURE FOR MAXIMUM DOOR WIDTH.

DOOR CLOSER MODEL: ITS9625
 CLOSER IN FRAME TRACK IN DOOR
 (WOOD DOOR AND FRAME)



DORMA Architectural Hardware
 Reamstown, PA 17567



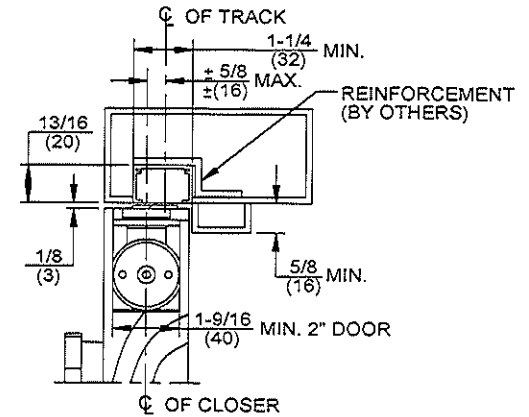
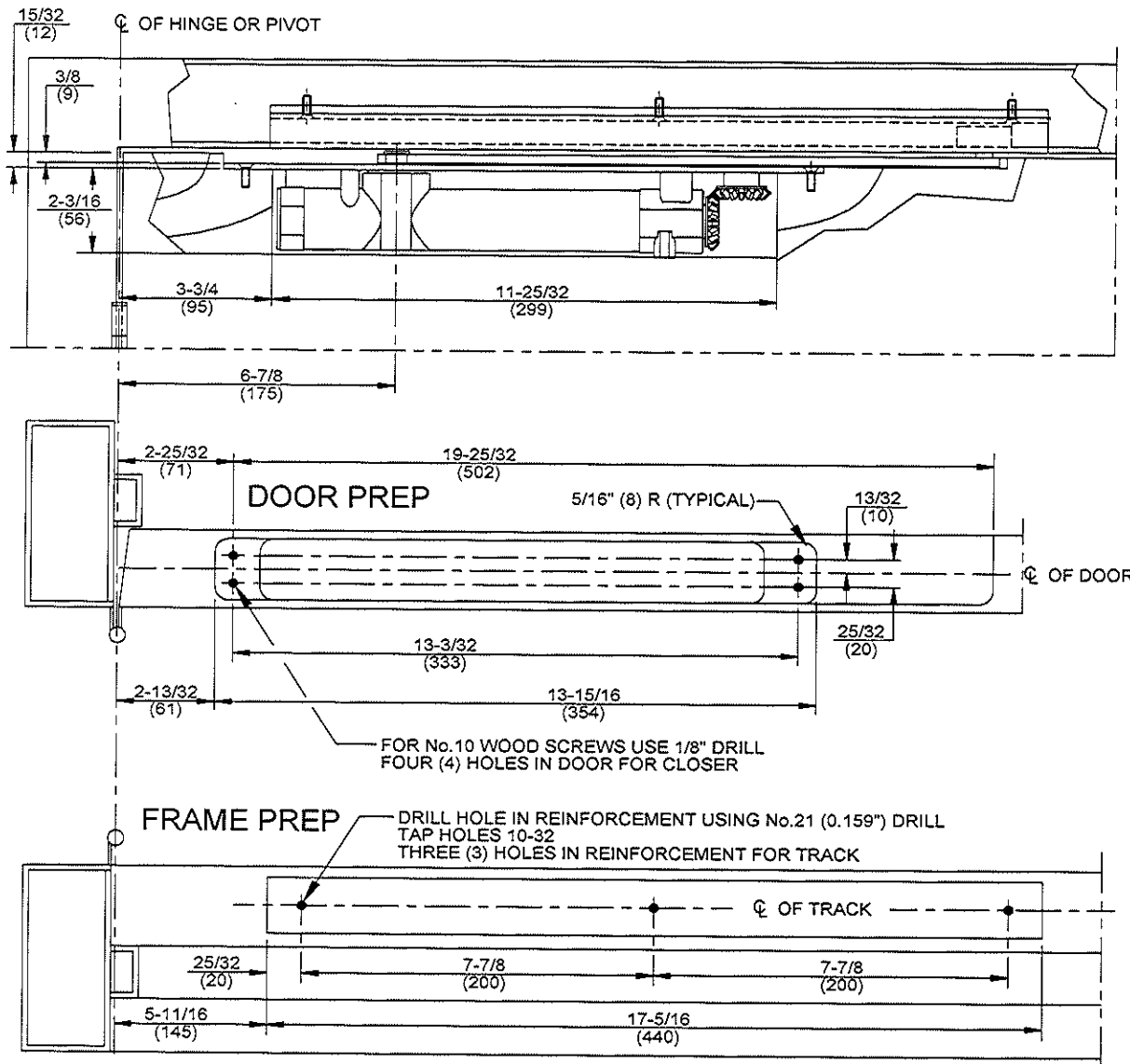
NOTES:

1. DO NOT SCALE DRAWING.
2. DIMENSIONS ARE IN INCHES/(MM).
3. RIGHT HAND DOOR SHOWN.
4. HOLD OPEN RANGE 80°-120°.
5. DOOR HUNG ON 4-1/2" X 4-1/2" BUTT HINGES OR 3/4" OFFSET PIVOTS.
6. THE TEMPLATING SHOWS THE LOCATION OF THE TRACK/CLOSER. NECESSARY REINFORCEMENT BY OTHERS.
7. THE ITS 96 MAY BE USED ON U.L. LISTED WOOD DOORS AND METAL FRAMES SUPPLIED BY MANUFACTURERS WHO HAVE THE PREPARATION FOR THIS CLOSER INCLUDED IN THEIR U.L. PROCEDURE. CHECK WITH THE DOOR/FRAME MANUFACTURER TO CONFIRM THAT ITS 96 PREPARATION IS INCLUDED.
8. MAXIMUM DOOR OPENING IS APPROX. 130°
9. SEE BROCHURE FOR MAXIMUM DOOR WIDTH.

DOOR CLOSER MODEL: ITS9613
 CLOSER IN DOOR TRACK IN FRAME
 (WOOD DOOR AND METAL FRAME)



DORMA Architectural Hardware
 Reamstown, PA 17567



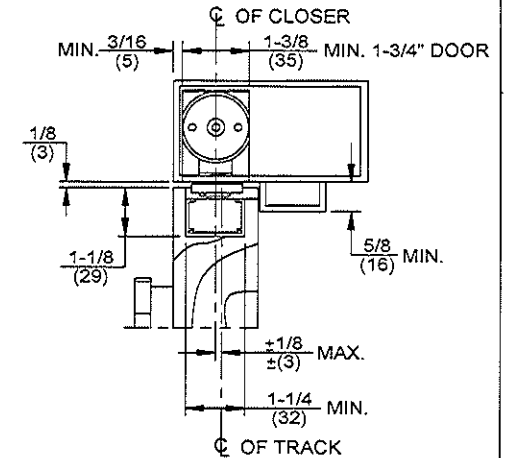
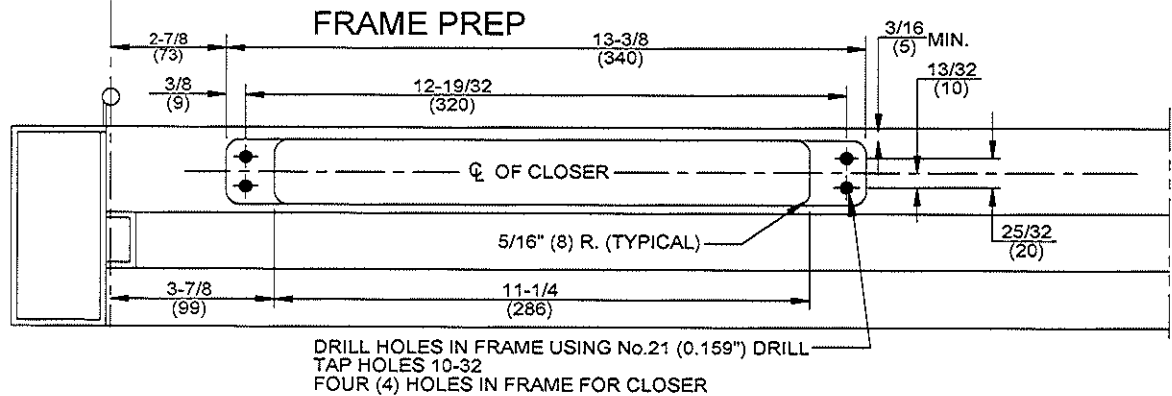
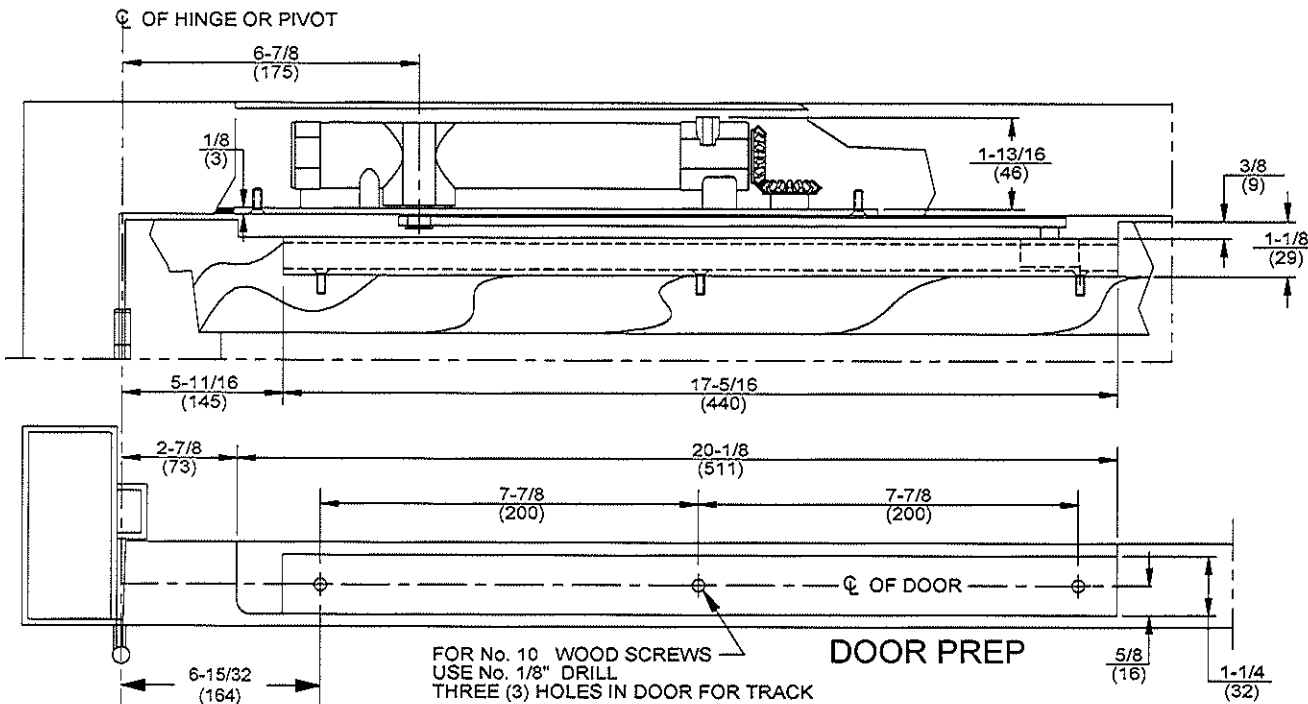
NOTES:

1. DO NOT SCALE DRAWING.
2. DIMENSIONS ARE IN INCHES/(MM).
3. RIGHT HAND DOOR SHOWN.
4. HOLD OPEN RANGE 80°-120°.
5. DOOR HUNG ON 4-1/2" X 4-1/2" BUTT HINGES OR 3/4" OFFSET PIVOTS.
6. THE TEMPLATING SHOWS THE LOCATION OF THE TRACK/CLOSER. NECESSARY REINFORCEMENT BY OTHERS.
7. THE ITS 96 MAY BE USED ON U.L. LISTED WOOD DOORS AND METAL FRAMES SUPPLIED BY MANUFACTURERS WHO HAVE THE PREPARATION FOR THIS CLOSER INCLUDED IN THEIR U.L. PROCEDURE. CHECK WITH THE DOOR/FRAME MANUFACTURER TO CONFIRM THAT ITS 96 PREPARATION IS INCLUDED.
8. MAXIMUM DOOR OPENING IS APPROX. 130°
9. SEE BROCHURE FOR MAXIMUM DOOR WIDTH.

DOOR CLOSER MODEL: ITS9625
 CLOSER IN DOOR TRACK IN FRAME
 (WOOD DOOR AND METAL FRAME)



DORMA Architectural Hardware
 Reamstown, PA 17567



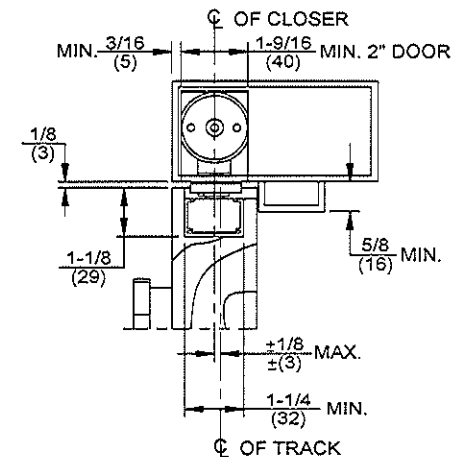
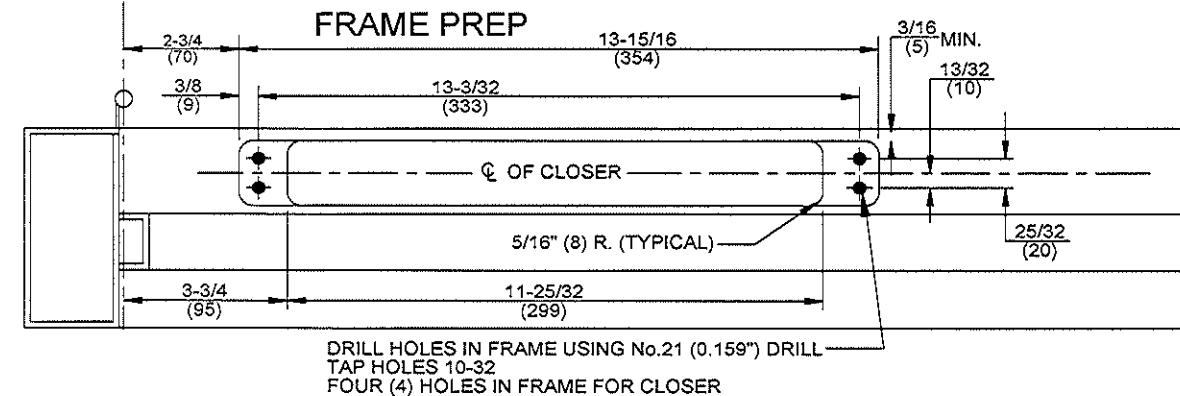
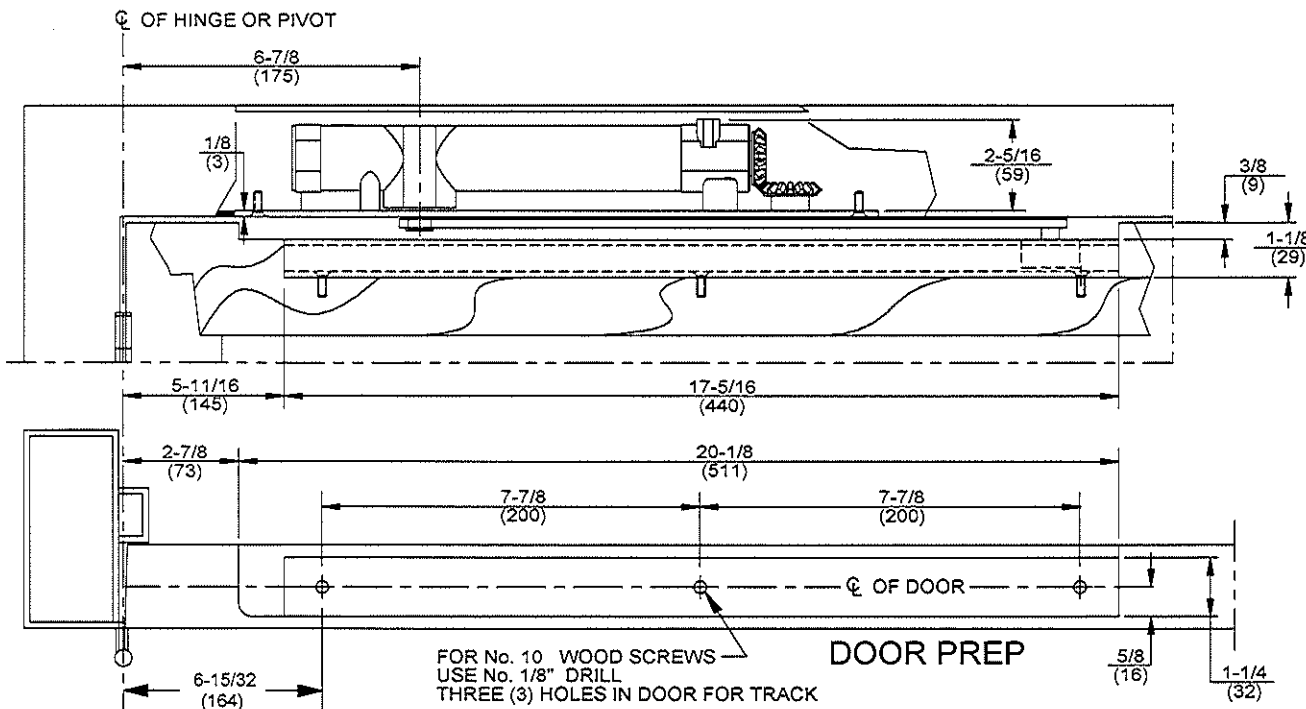
NOTES:

1. DO NOT SCALE DRAWING.
2. DIMENSIONS ARE IN INCHES/(MM).
3. RIGHT HAND DOOR SHOWN.
4. HOLD OPEN RANGE 80°-120°.
5. DOOR HUNG ON 4-1/2" X 4-1/2" BUTT HINGES OR 3/4" OFFSET PIVOTS.
6. THE TEMPLATING SHOWS THE LOCATION OF THE TRACK/CLOSER. NECESSARY REINFORCEMENT BY OTHERS.
7. THE ITS 96 MAY BE USED ON U.L. LISTED WOOD DOORS AND METAL FRAMES SUPPLIED BY MANUFACTURERS WHO HAVE THE PREPARATION FOR THIS CLOSER INCLUDED IN THEIR U.L. PROCEDURE. CHECK WITH THE DOOR/FRAME MANUFACTURER TO CONFIRM THAT ITS 96 PREPARATION IS INCLUDED.
8. MAXIMUM OPENING APPROX. 130°
9. SEE BROCHURE FOR MAXIMUM DOOR WIDTH.

DOOR CLOSER MODEL: ITS9613 INV
CLOSER IN FRAME TRACK IN DOOR
(WOOD DOOR AND METAL FRAME)



DORMA Architectural Hardware
Reamstown, PA 17567



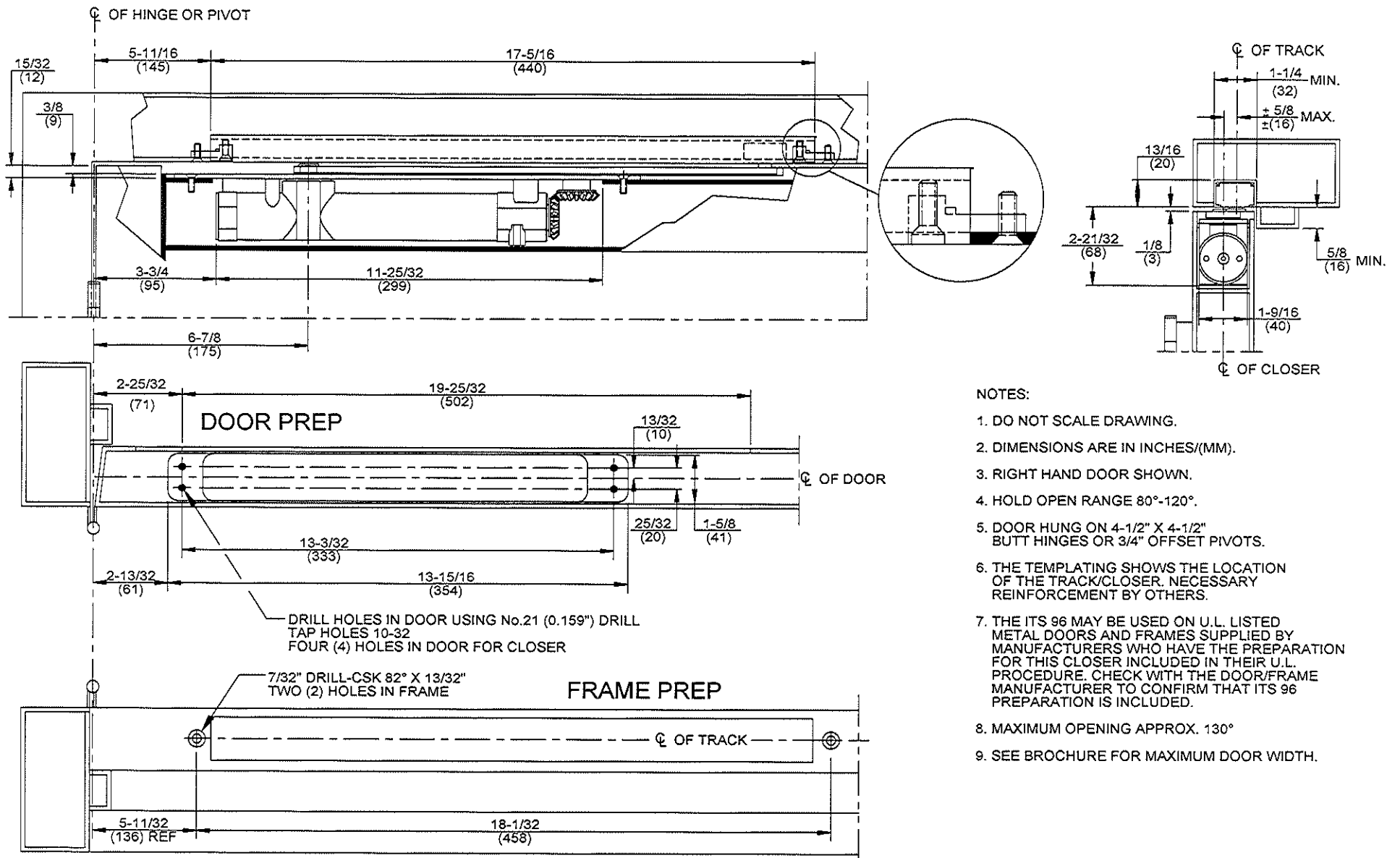
NOTES:

1. DO NOT SCALE DRAWING.
2. DIMENSIONS ARE IN INCHES/(MM).
3. RIGHT HAND DOOR SHOWN.
4. HOLD OPEN RANGE 80°-120°.
5. DOOR HUNG ON 4-1/2" X 4-1/2" BUTT HINGES OR 3/4" OFFSET PIVOTS.
6. THE TEMPLATING SHOWS THE LOCATION OF THE TRACK/CLOSER. NECESSARY REINFORCEMENT BY OTHERS.
7. THE ITS 96 MAY BE USED ON U.L. LISTED WOOD DOORS AND METAL FRAMES SUPPLIED BY MANUFACTURERS WHO HAVE THE PREPARATION FOR THIS CLOSER INCLUDED IN THEIR U.L. PROCEDURE. CHECK WITH THE DOOR/FRAME MANUFACTURER TO CONFIRM THAT ITS 96 PREPARATION IS INCLUDED.
8. MAXIMUM OPENING APPROX. 130°
9. SEE BROCHURE FOR MAXIMUM DOOR WIDTH.

DOOR CLOSER MODEL: ITS9625 INV
 CLOSER IN FRAME TRACK IN DOOR
 (WOOD DOOR AND METAL FRAME)



DORMA Architectural Hardware
 Reamstown, PA 17567

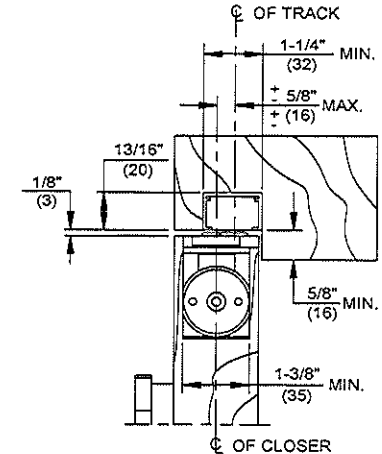
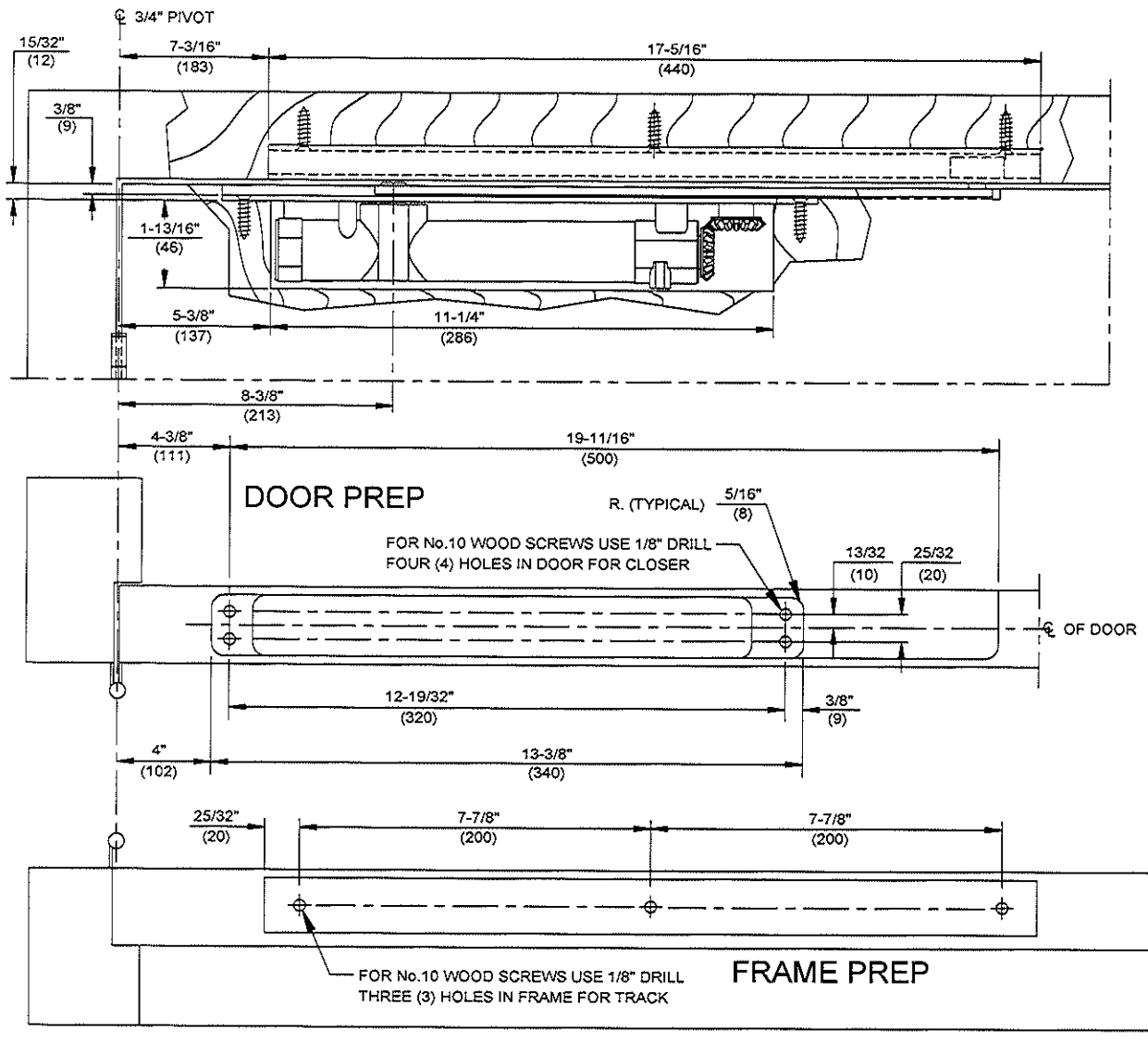


DOOR CLOSER MODEL: ITS9625

CLOSER IN DOOR TRACK IN FRAME
 WITH ACCESSORY TRACK BRACKETS
 (METAL DOOR AND FRAME)



DORMA Architectural Hardware
 Reamstown, PA 17567



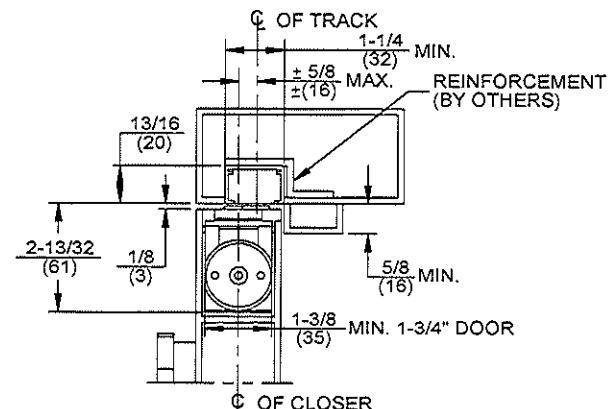
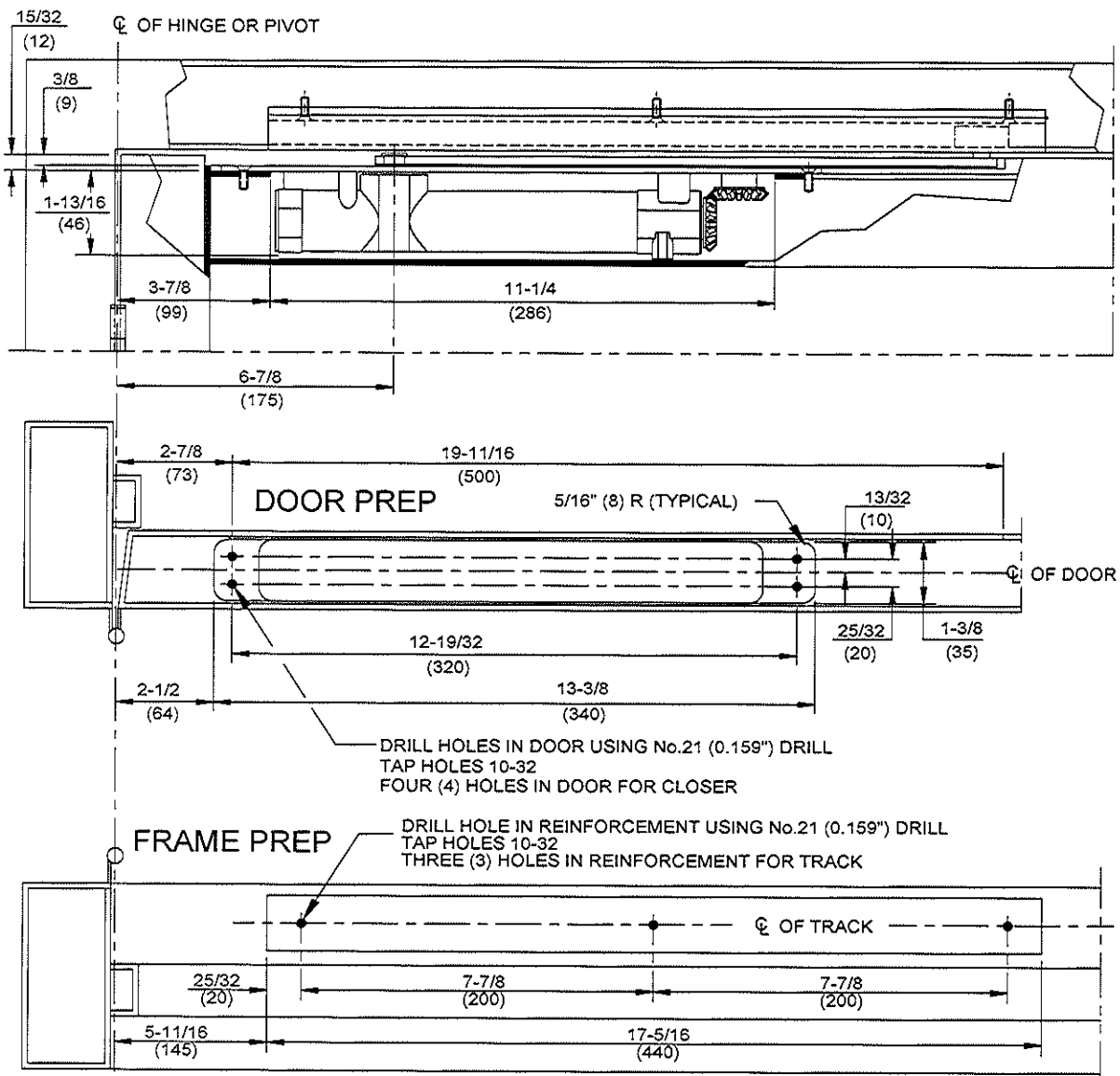
NOTES:

1. DO NOT SCALE DRAWING.
2. DIMENSIONS ARE IN INCHES/(MM).
3. RIGHT HAND DOOR SHOWN.
4. MAXIMUM OPENING APPROX. 90°
5. HOLD OPEN RANGE 80°-90°.
6. DOOR HUNG ON 4-1/2" X 4-1/2" BUTT HINGES OR 3/4" OFFSET PIVOTS.
7. ITS96 MAY BE USED ON LABELED WOOD DOORS PENDING APPROVAL OF WOOD DOOR MANUFACTURER.
8. SEE BROCHURE FOR MAXIMUM DOOR WIDTH.

DOOR CLOSER MODEL: ITS96-1 with 3/4" OFFSET TOP PIVOT
 CLOSER IN DOOR TRACK IN FRAME
 (WOOD DOOR AND FRAME)



DORMA Architectural Hardware
 Reamstown, PA 17567

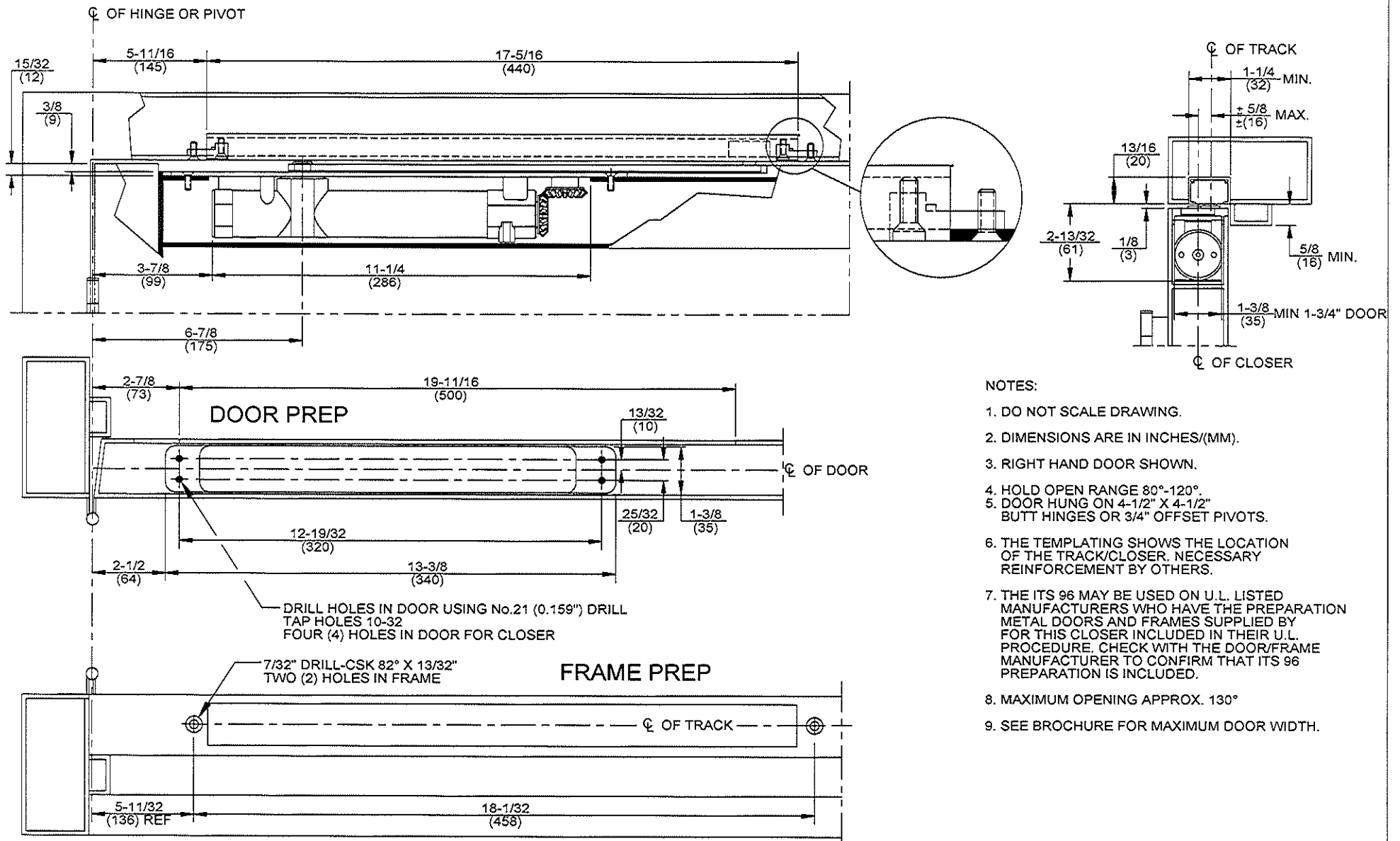


- NOTES:
1. DO NOT SCALE DRAWING.
 2. DIMENSIONS ARE IN INCHES/(MM).
 3. RIGHT HAND DOOR SHOWN.
 4. HOLD OPEN RANGE 80°-120°.
 5. DOOR HUNG ON 4-1/2" X 4-1/2" BUTT HINGES OR 3/4" OFFSET PIVOTS.
 6. THE TEMPLATING SHOWS THE LOCATION OF THE TRACK/CLOSER. NECESSARY REINFORCEMENT BY OTHERS.
 7. THE ITS 96 MAY BE USED ON U.L. LISTED METAL DOORS AND FRAMES SUPPLIED BY MANUFACTURERS WHO HAVE THE PREPARATION FOR THIS CLOSER INCLUDED IN THEIR U.L. PROCEDURE. CHECK WITH THE DOOR/FRAME MANUFACTURER TO CONFIRM THAT ITS 96 PREPARATION IS INCLUDED.
 8. MAXIMUM DOOR OPENING IS APPROX. 130°
 9. SEE BROCHURE FOR MAXIMUM DOOR WIDTH.

DOOR CLOSER MODEL: ITS9613 STD
 CLOSER IN DOOR TRACK IN FRAME
 (METAL DOOR AND FRAME)



DORMA Architectural Hardware
 Reamstown, PA 17567



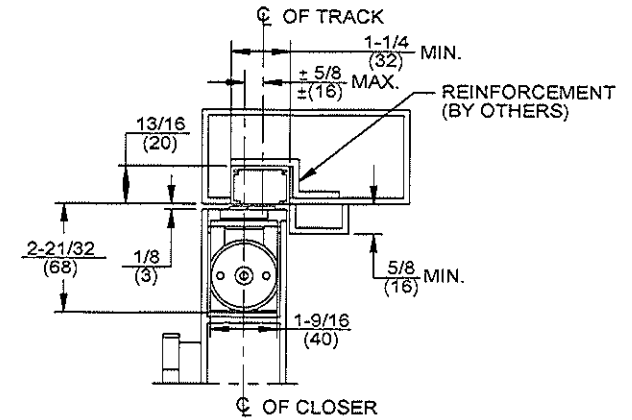
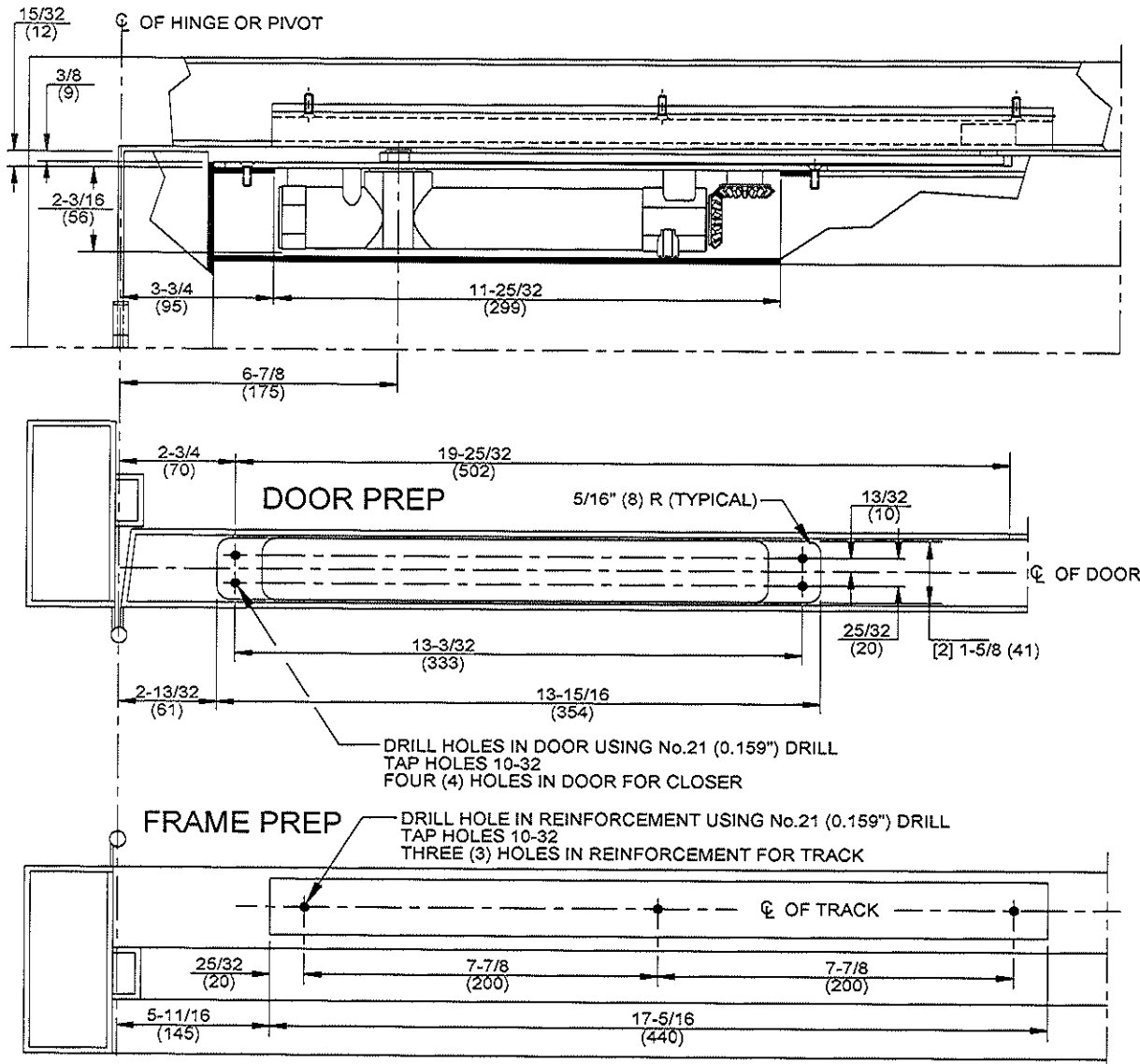
NOTES:

1. DO NOT SCALE DRAWING.
2. DIMENSIONS ARE IN INCHES/(MM).
3. RIGHT HAND DOOR SHOWN.
4. HOLD OPEN RANGE 80°-120°.
5. DOOR HUNG ON 4-1/2" X 4-1/2" BUTT HINGES OR 3/4" OFFSET PIVOTS.
6. THE TEMPLATING SHOWS THE LOCATION OF THE TRACK/CLOSER. NECESSARY REINFORCEMENT BY OTHERS.
7. THE ITS 96 MAY BE USED ON U.L. LISTED MANUFACTURERS WHO HAVE THE PREPARATION METAL DOORS AND FRAMES SUPPLIED BY FOR THIS CLOSER INCLUDED IN THEIR U.L. PROCEDURE. CHECK WITH THE DOOR/FRAME MANUFACTURER TO CONFIRM THAT ITS 96 PREPARATION IS INCLUDED.
8. MAXIMUM OPENING APPROX. 130°
9. SEE BROCHURE FOR MAXIMUM DOOR WIDTH.

DOOR CLOSER MODEL: ITS9613 STD
 CLOSER IN DOOR TRACK IN FRAME
 WITH ACCESSORY TRACK BRACKETS
 (METAL DOOR AND FRAME)



DORMA Architectural Hardware
 Reamstown, PA 17567



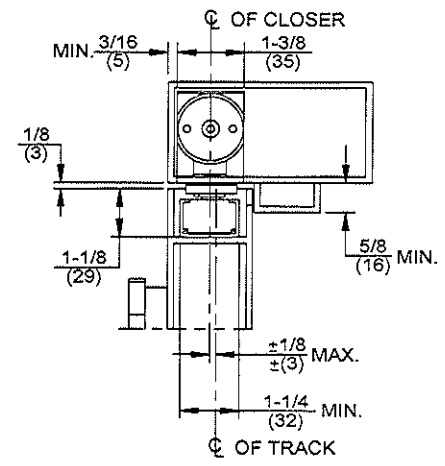
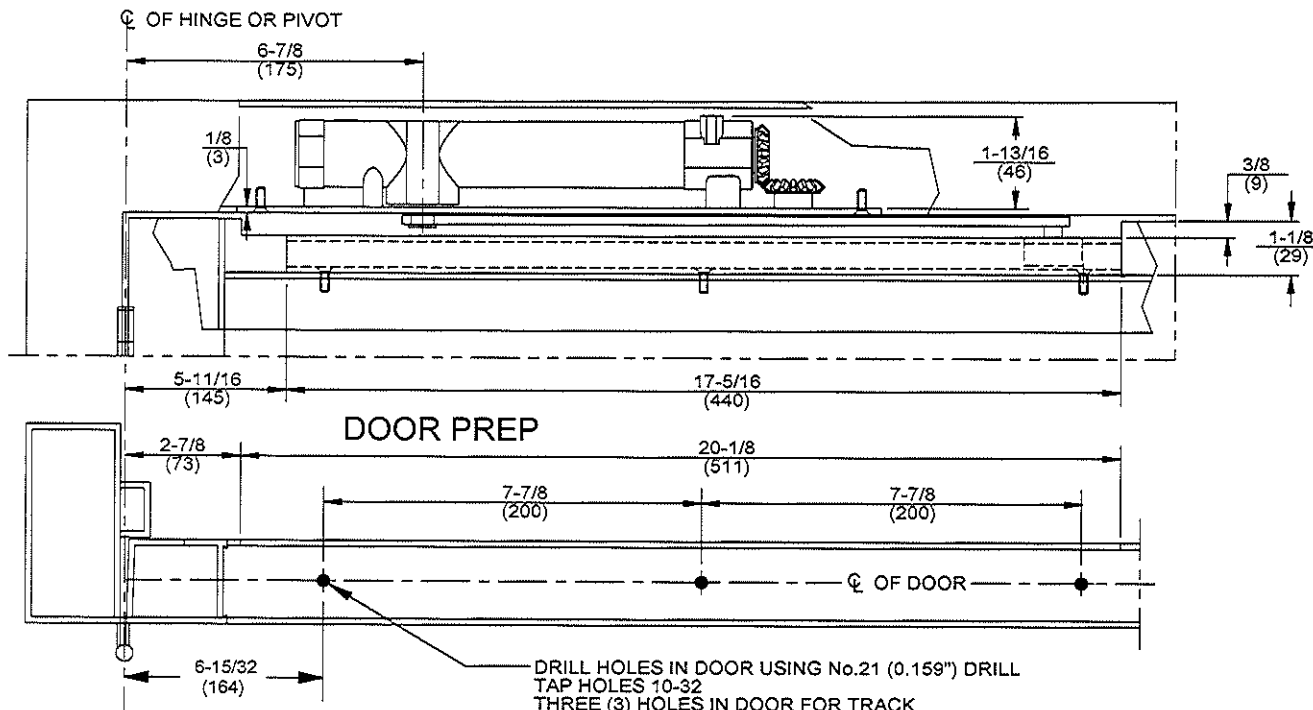
NOTES:

1. DO NOT SCALE DRAWING.
2. DIMENSIONS ARE IN INCHES/(MM).
3. RIGHT HAND DOOR SHOWN.
4. HOLD OPEN RANGE 80°-120°.
5. DOOR HUNG ON 4-1/2" X 4-1/2" BUTT HINGES OR 3/4" OFFSET PIVOTS.
6. THE TEMPLATING SHOWS THE LOCATION OF THE TRACK/CLOSER. NECESSARY REINFORCEMENT BY OTHERS.
7. THE ITS 96 MAY BE USED ON U.L. LISTED METAL DOORS AND FRAMES SUPPLIED BY MANUFACTURERS WHO HAVE THE PREPARATION FOR THIS CLOSER INCLUDED IN THEIR U.L. PROCEDURE. CHECK WITH THE DOOR/FRAME MANUFACTURER TO CONFIRM THAT ITS 96 PREPARATION IS INCLUDED.
8. MAXIMUM DOOR OPENING IS APPROX. 130°
9. SEE BROCHURE FOR MAXIMUM DOOR WIDTH.

DOOR CLOSER MODEL: ITS9625
CLOSER IN DOOR TRACK IN FRAME
(METAL DOOR AND FRAME)



DORMA Architectural Hardware
Reamstown, PA 17567



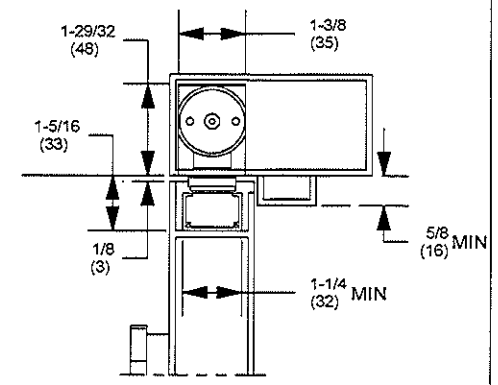
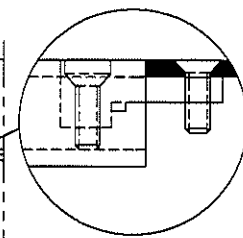
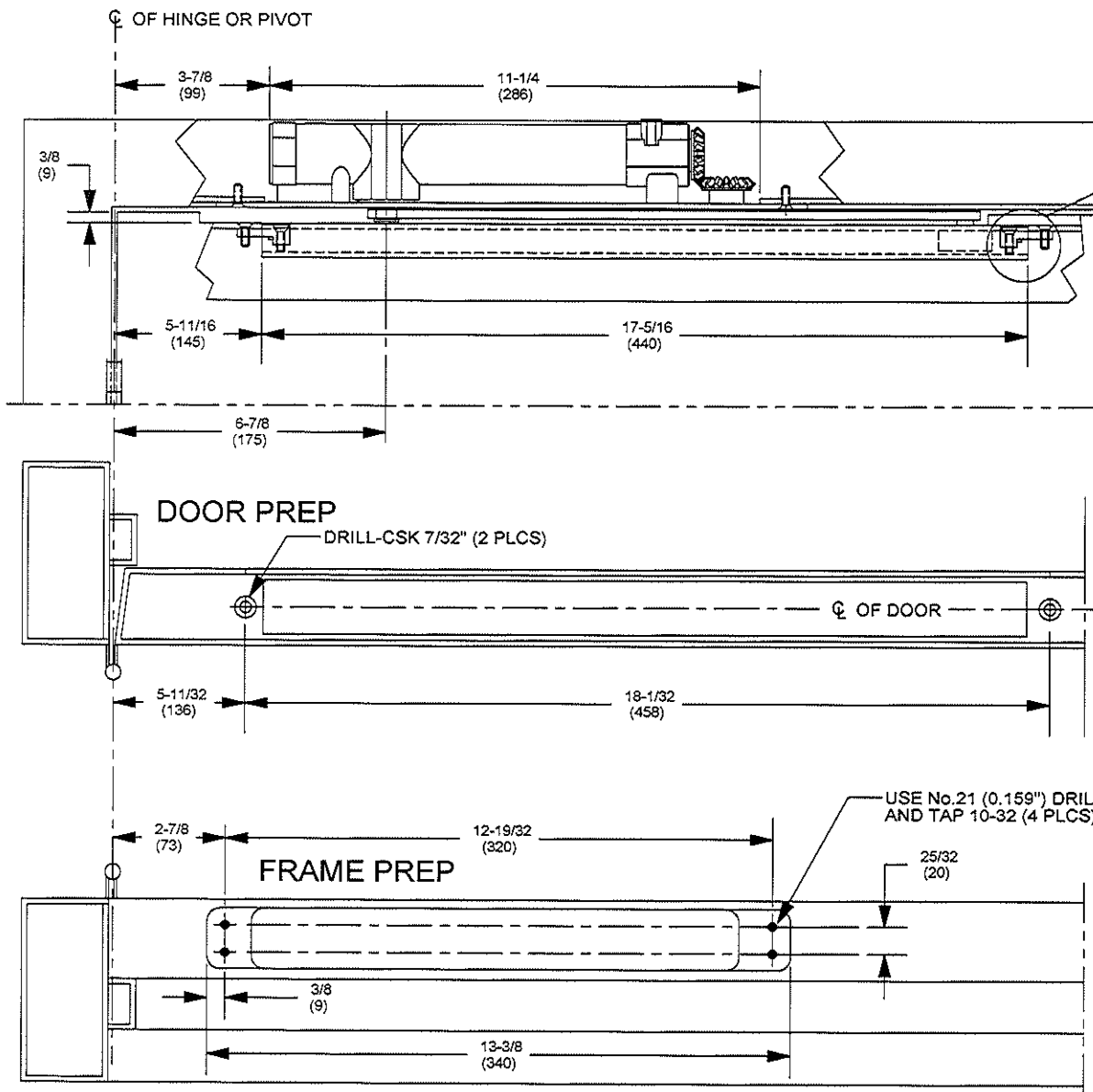
NOTES:

1. DO NOT SCALE DRAWING.
2. DIMENSIONS ARE IN INCHES/(MM).
3. RIGHT HAND DOOR SHOWN.
4. HOLD OPEN RANGE 80°-120°.
5. DOOR HUNG ON 4-1/2" X 4-1/2" BUTT HINGES OR 3/4" OFFSET PIVOTS.
6. THE TEMPLATING SHOWS THE LOCATION OF THE TRACK/CLOSER. NECESSARY REINFORCEMENT BY OTHERS.
7. THE ITS 96 MAY BE USED ON U.L. LISTED METAL DOORS AND FRAMES SUPPLIED BY MANUFACTURERS WHO HAVE THE PREPARATION FOR THIS CLOSER INCLUDED IN THEIR U.L. PROCEDURE. CHECK WITH THE DOOR/FRAME MANUFACTURER TO CONFIRM THAT ITS 96 PREPARATION IS INCLUDED.
8. MAXIMUM OPENING APPROX. 130°
9. SEE BROCHURE FOR MAXIMUM DOOR WIDTH.

DOOR CLOSER MODEL: ITS9613 INV
 CLOSER IN FRAME TRACK IN DOOR
 (METAL DOOR AND FRAME)



DORMA Architectural Hardware
 Reamstown, PA 17567



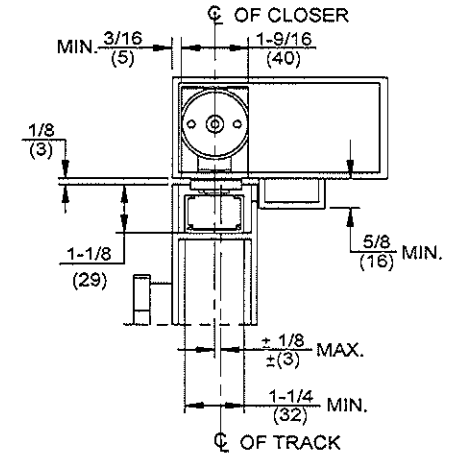
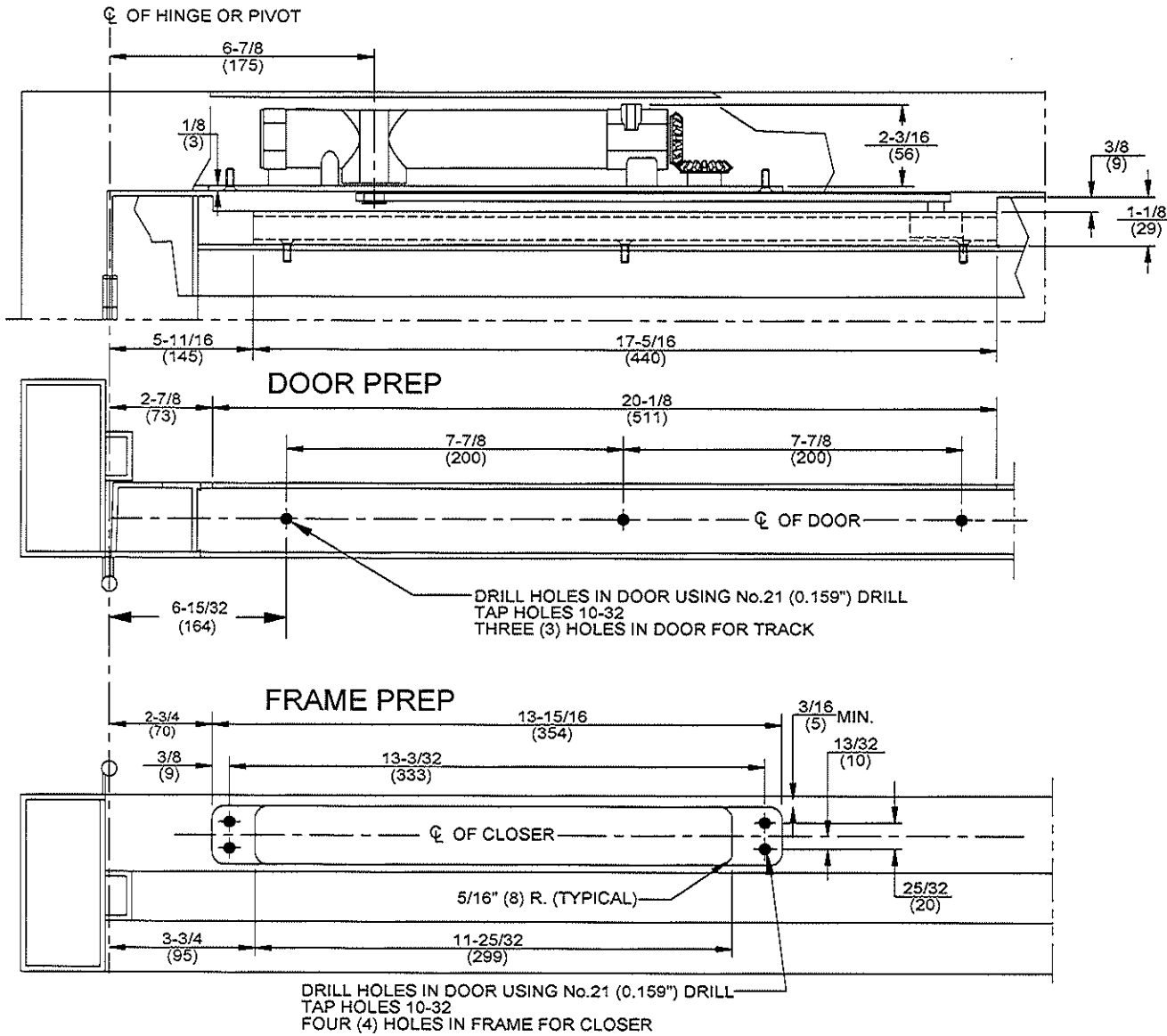
NOTES:

1. DO NOT SCALE DRAWING.
2. DIMENSIONS ARE IN INCHES/(MM).
3. RIGHT HAND DOOR SHOWN.
4. HOLD OPEN RANGE 80°-120°.
5. DOOR HUNG ON 4-1/2" X 4-1/2" BUTT HINGES OR 3/4" OFFSET PIVOTS.
6. THE TEMPLATING SHOWS THE LOCATION OF THE TRACK/CLOSER. NECESSARY REINFORCEMENT BY OTHERS.
7. THE ITS 96 MAY BE USED ON U.L. LISTED METAL DOORS AND FRAMES SUPPLIED BY MANUFACTURERS WHO HAVE THE PREPARATION FOR THIS CLOSER INCLUDED IN THEIR U.L. PROCEDURE. CHECK WITH THE DOOR/FRAME MANUFACTURER TO CONFIRM THAT ITS 96 PREPARATION IS INCLUDED.
8. 5/8" MAXIMUM BETWEEN C OF CLOSER AND C OF TRACK.
9. SEE BROCHURE FOR MAXIMUM DOOR WIDTH.
10. MAXIMUM OPENING APPROX. 130°

DOOR CLOSER MODEL: ITS9613
 CLOSER IN FRAME, TRACK IN DOOR
 WITH ACCESSORY TRACK BRACKETS
 (METAL DOOR AND FRAME)



DORMA Architectural Hardware
 Reamstown, PA 17567



NOTES:

1. DO NOT SCALE DRAWING.
2. DIMENSIONS ARE IN INCHES/(MM).
3. RIGHT HAND DOOR SHOWN.
4. HOLD OPEN RANGE 80°-120°.
5. DOOR HUNG ON 4-1/2" X 4-1/2" BUTT HINGES OR 3/4" OFFSET PIVOTS.
6. THE TEMPLATING SHOWS THE LOCATION OF THE TRACK/CLOSER. NECESSARY REINFORCEMENT BY OTHERS.
7. THE ITS 96 MAY BE USED ON U.L. LISTED METAL DOORS AND FRAMES SUPPLIED BY MANUFACTURERS WHO HAVE THE PREPARATION FOR THIS CLOSER INCLUDED IN THEIR U.L. PROCEDURE. CHECK WITH THE DOOR/FRAME MANUFACTURER TO CONFIRM THAT ITS 96 PREPARATION IS INCLUDED.
8. MAXIMUM OPENING APPROX. 130°
9. SEE BROCHURE FOR MAXIMUM DOOR WIDTH.

DOOR CLOSER MODEL: ITS9625 INV
 CLOSER IN FRAME TRACK IN DOOR
 (METAL DOOR AND FRAME)



DORMA Architectural Hardware
 Reamstown, PA 17567