

BTS75V/B,H, 75V BF/B,H, 80/B,H

Package B & H

Wood/steel door & frame, center hung

Single & double acting

## Installation instructions

08076342 – 02-2021

| EN |

dormakaba 

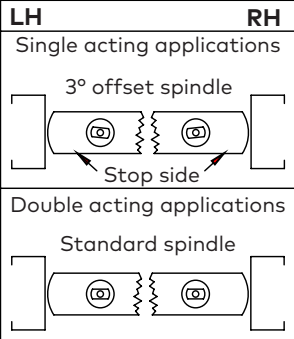
# Table of contents

<b>1</b>	<b>Installation</b>	<b>3</b>
1.1	Attach spindle and install closer	3
1.2	Adjust pivot for door clearance	3
1.3	Install pivot channel in top of door	3
1.4	Install bottom arm in bottom of door (7421)	4
1.5	Install the door	4
<b>2</b>	<b>Templates</b>	<b>5</b>
2.1	Top pivot template	5
2.2	Bottom arm (7421) template	6
2.3	Cement case template	7
<b>3</b>	<b>Adjustments</b>	<b>8</b>
3.1	Adjust bottom door clearances (if necessary)	8
3.2	Adjust closing speeds	8
3.3	Adjust spring tension (if necessary)	9
3.4	Sealing compound (optional)	9
<b>4</b>	<b>Covers</b>	<b>9</b>
4.1	Install cover	9

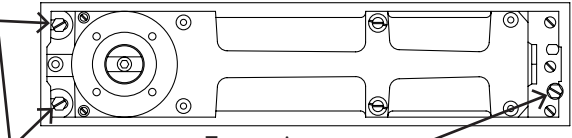
# 1 Installation

## 1.1 Attach spindle and install closer

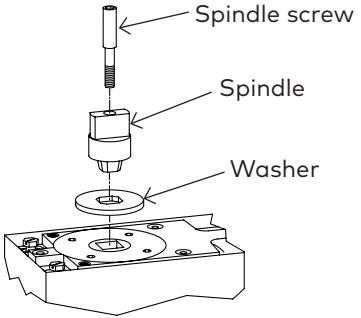
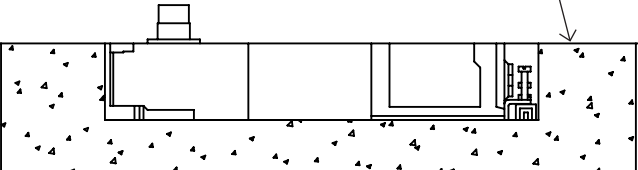
Fig.1



**CRITICAL:**  
**WASHER MUST BE INSTALLED**



- 1.1.1 Slide washer over tapered square end of spindle until fully seated in groove.
- 1.1.2 Fasten spindle with spindle screw provided.
- 1.1.3 Tighten securely with 5mm hex key.

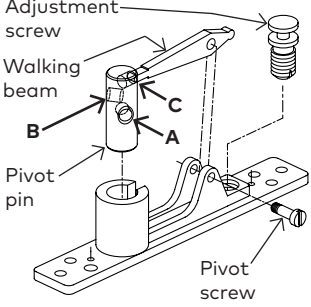



NOTE: Top of cement case must be flush with finished floor.  
NOTE: Cement case must be level and installed parallel to frame.  
NOTE: Spindle center line must be accurately located.  
NOTE: Grout cement case in place.

- 1.1.4 Center closer in cement case.
- 1.1.5 Tighten fastening screws.

## 1.2 Adjust pivot for door clearance

Fig.2



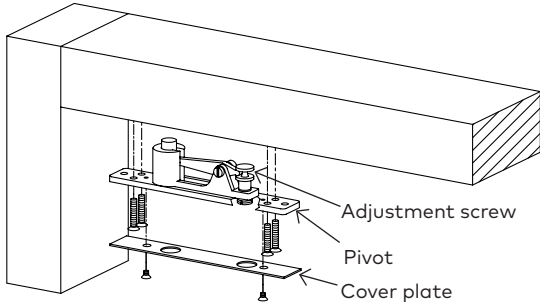
Position	Std pin	Extended pin
A	1/8" [3]	3/4" [19]
B	3/8" [10]	1" [25]
C	3/4" [19]	1-5/16" [33]

- 1.2.1 Determine clearance between door and frame, and adjust projection of pivot pin, if required.

**NOTE: Pivot pin projection allows 1/8" clearance as shipped from the factory.**

- 1.2.2 Remove walking beam pivot screw.
- 1.2.3 Push pivot pin out until walking beam is disengaged.
- 1.2.4 Install extended pivot pin and engage walking beam into appropriate hole in pivot pin to obtain required projection.

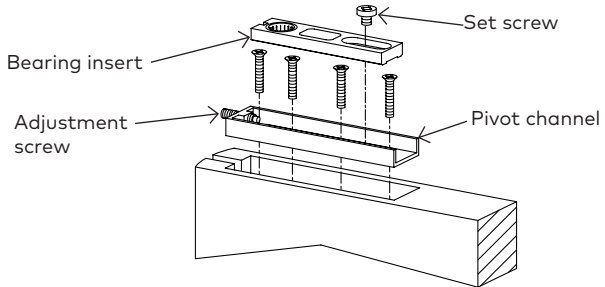
**NOTE: Be sure opposite end of walking beam is engaged in adjustment screw.**



- 1.2.5 Reinstall walking beam pivot screw.
- 1.2.6 Retract pivot pin: turn adjustment screw CCW and install pivot into header.
- 1.2.7 Install cover plate.

## 1.3 Install pivot channel in top of door

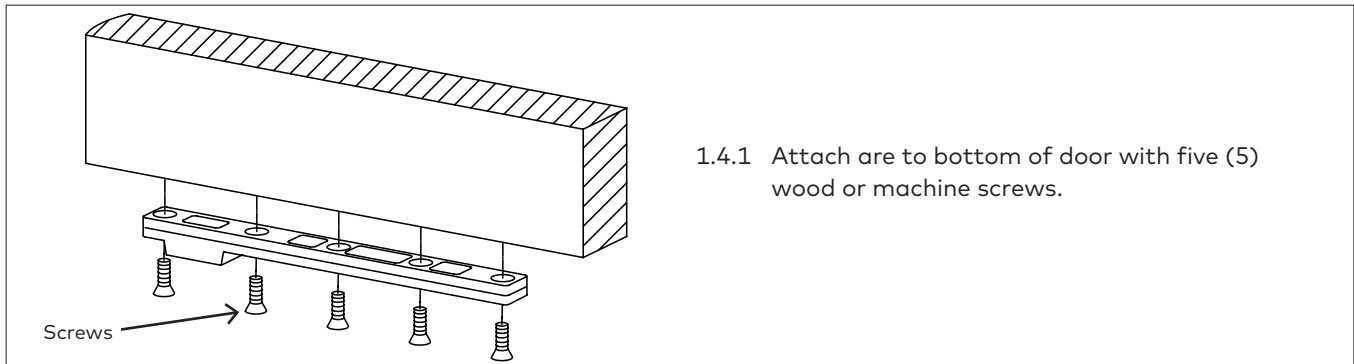
Fig.3



- 1.3.1 Fasten pivot channel in top of door.
- 1.3.2 Place bearing insert into pivot channel.
- 1.3.3 Turn adjustment screw approximately halfway into pivot channel.
- 1.3.4 Adjust pivot point accordingly.
- 1.3.5 Lock bearing insert in place with set screw.

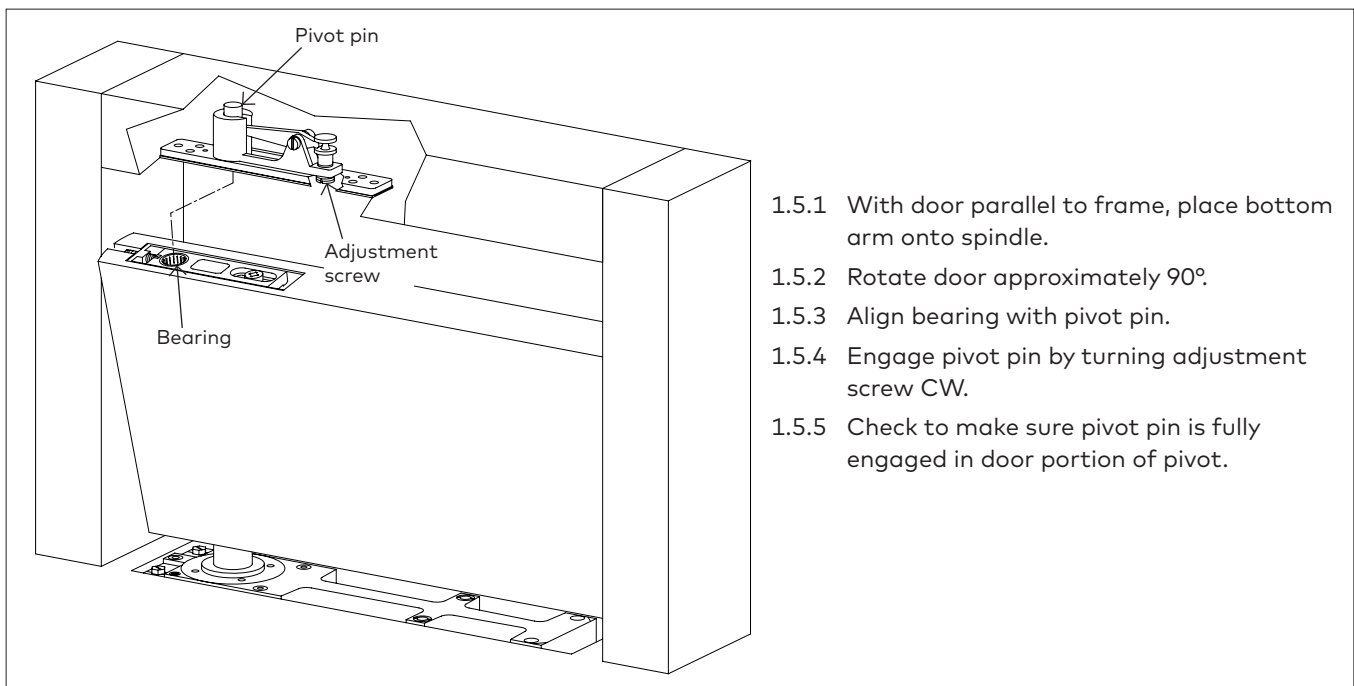
## 1.4 Install bottom arm in bottom of door (7421)

Fig.4



## 1.5 Install the door

Fig.5



# 2 Templates

## 2.1 Top pivot template

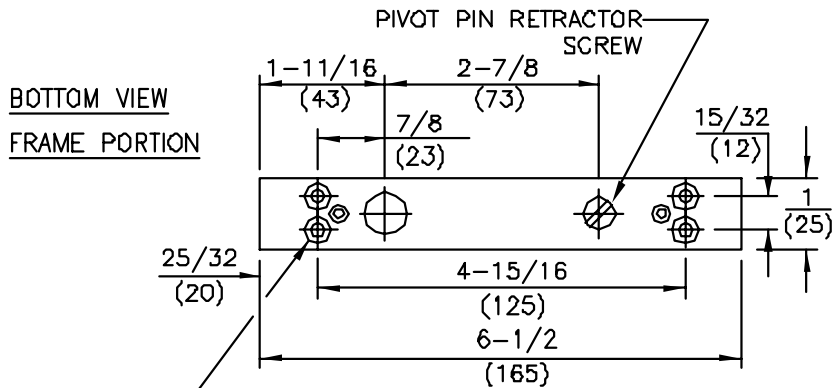
Fig.6

**NOTES:**

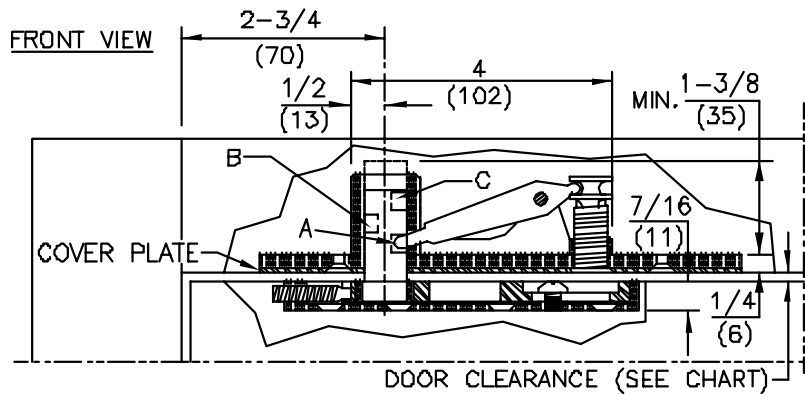
1. Do not scale drawing.
2. Dimensions are in inches/[mm]
3. All necessary reinforcing for pivots by others.
4. Pivot pin diameter .591/[15]
5. Pivot pin projection is adjustable. See chart for door clearances.

**DOOR CLEARANCE**

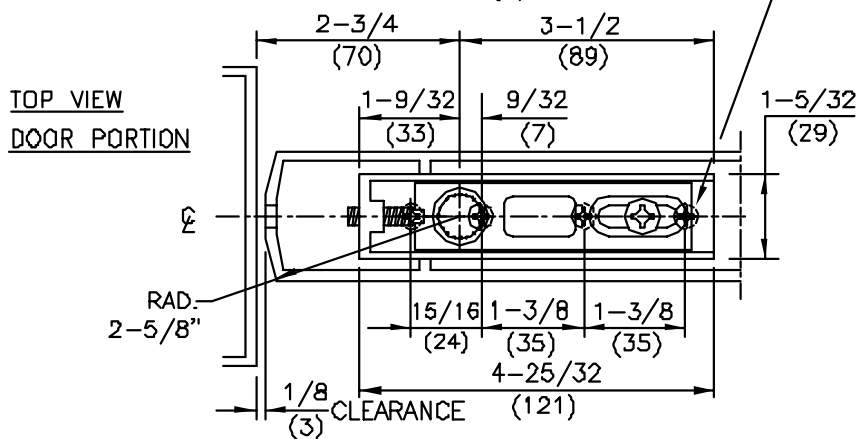
POSITION	STANDARD PIN	EXTENDED PIN
A	1/8"(3)	3/4"(19)
B	3/8"(10)	1"(25)
C	3/4"(19)	1-5/16"(33)



FOR 10-32 MACHINE SCREWS USE No.21 DRILL  
 FOR WOOD SCREWS USE No.29 DRILL  
 FOUR (4) HOLES FOR MOUNTING PIVOT



FOR 10-32 MACHINE SCREWS USE No.21 DRILL  
 FOR WOOD SCREWS USE No.29 DRILL  
 FOUR (4) HOLES IN DOOR

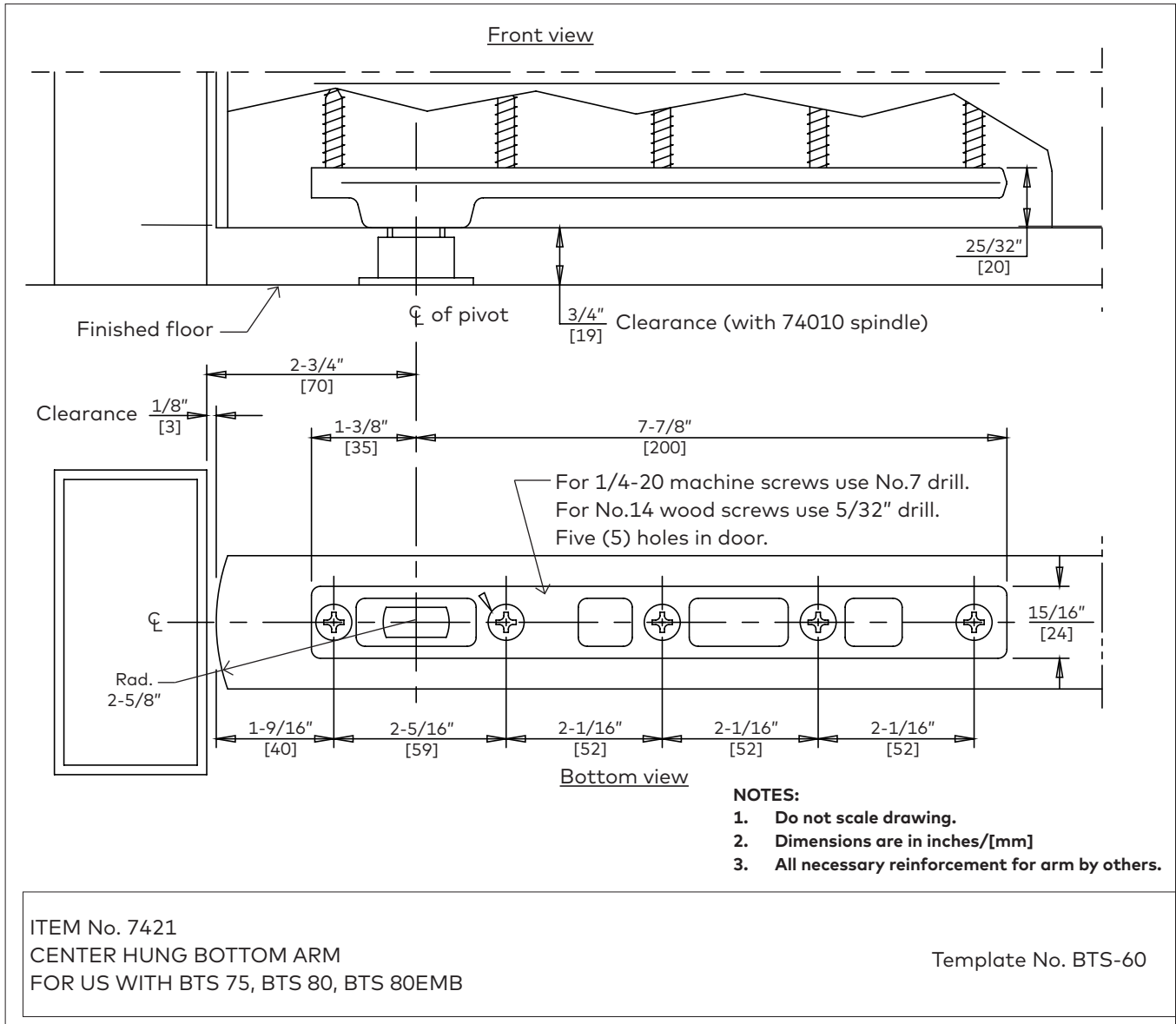


Template No. BTS-59

MODEL No. 8062, 8062 EXT PIN  
 CENTER HUNG TOP PIVOT  
 FOR USE WITH BTS 75, BTS 80, BTS 80EMB

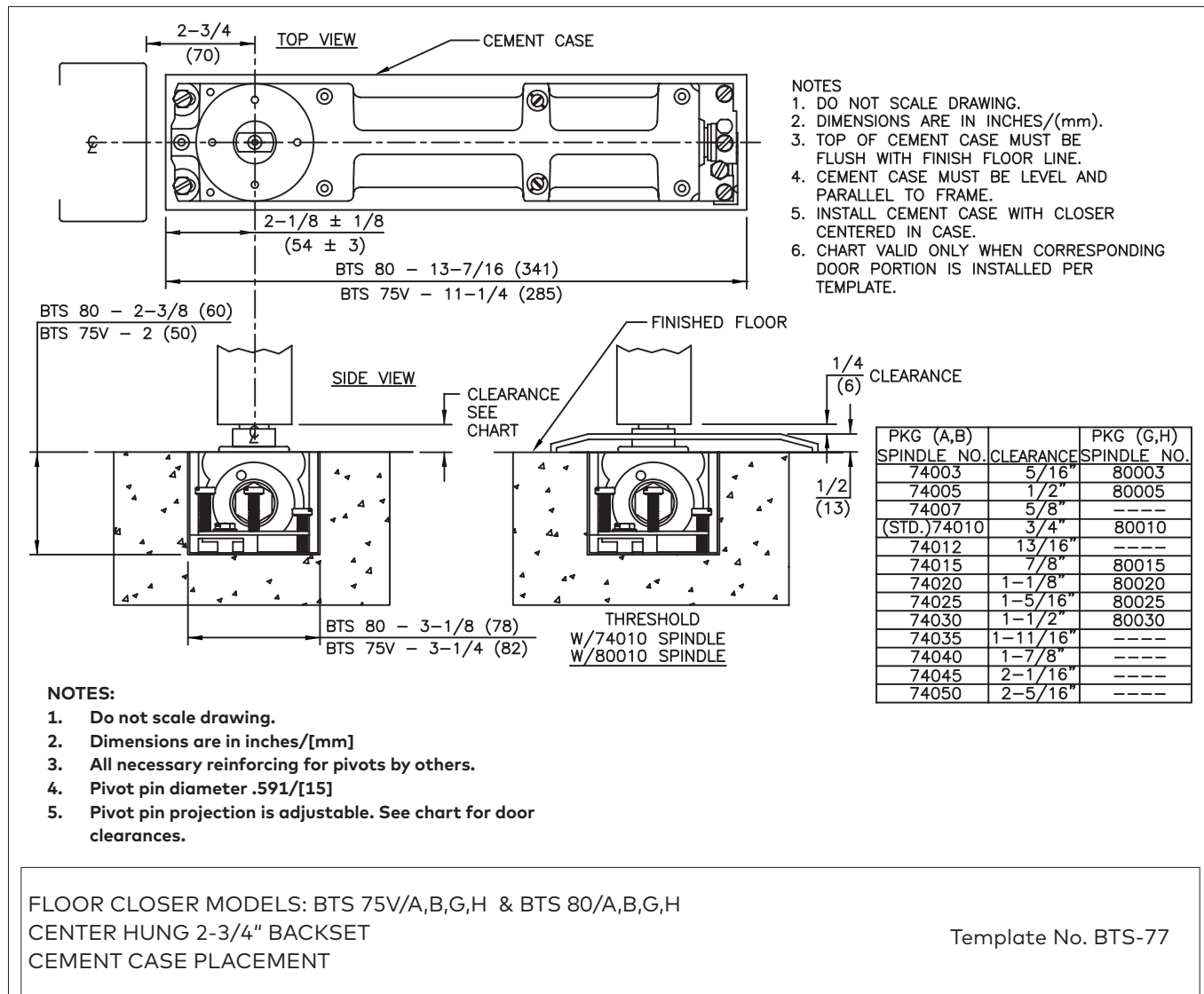
## 2.2 Bottom arm (7421) template

Fig.7



## 2.3 Cement case template

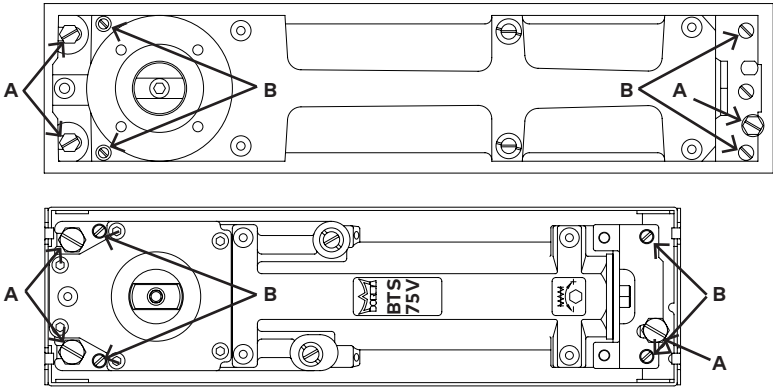
Fig.8



# 3 Adjustments

## 3.1 Adjust bottom door clearances (if necessary)

Fig.9



3.1.1 Closer can be raised approximately 5/32" with the cement case.

3.1.2 Loosen fastening screws "A".

3.1.3 Turn height adjustment screws "B" CW until desired height is obtained.

**NOTE: Closer must remain level!**

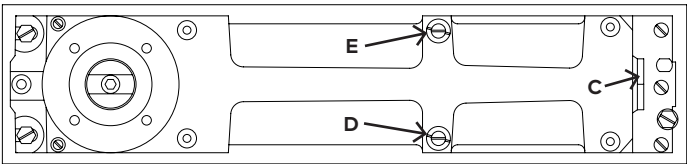
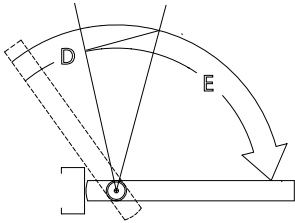
3.1.4 Re-tighten fastening screws "A".

3.1.5 If more clearance is necessary, change spindle to appropriate size.

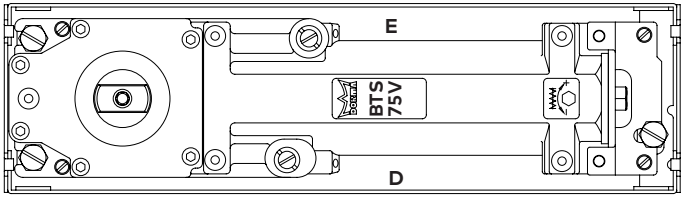
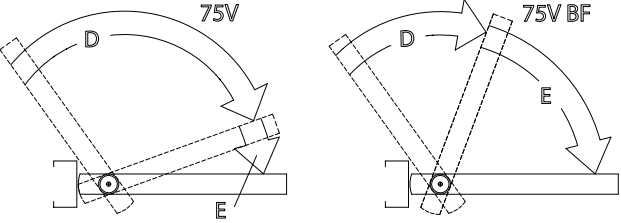
## 3.2 Adjust closing speeds

Fig.10



**BTS80**

**BTS75V**

Valve "D"	Controls closing speed from max opening to 80°
Valve "E"	Controls closing speed from approximately 80°-0°
Delayed action	Turn valve "D" CW until desired delay time is obtained.
Hold open	Turn valve "D" completely CW. Door will hold at any point beyond approx. 80°. Allow for approx. 4° fall away when considering hold open position. To release door, manually pull door closed a few inches.
Valve "C"	Controls position at which hold open or delayed action will begin to occur. CW turns increase angle (105° max). CCW turns decrease angle (75° min).

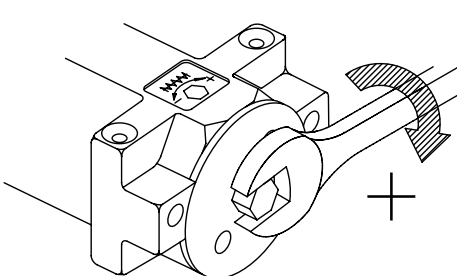
 -  
 +

Valve "D"	Controls closing speed from max opening to 15°
Valve "E"	Controls closing speed from approximately 15°-0°
Valve "D" barrier free (BF)	Controls closing speed from max opening to 70°
Valve "E" barrier free (BF)	Controls closing speed from approximately 70°-0°
Delayed action	Turn valve "D" until desired delay time is obtained.
Hold open	Mechanical hold open is available at 90° or 105° as an option when ordering the closer.



### 3.3 Adjust spring tension (if necessary)

Fig.11



BTS75VBF	Adjust only if more spring tension is required to positively close and latch the door. Depending on opening conditions, a door adjusted to meet barrier-free forces may not have sufficient power to reliably closer and latch the door.
BS75V	Adjust according to chart.

Spring tension			
	Door width		Full turns
	Interior	Exterior	
BTS75V	2'-6" [762]	---	+3
	3' [914]	2'-6" [762]	+6
	3'-6" [1067]	3' [914]	+10

**NOTE: Max 12 turns from minimum setting.**

### 3.4 Sealing compound (optional)

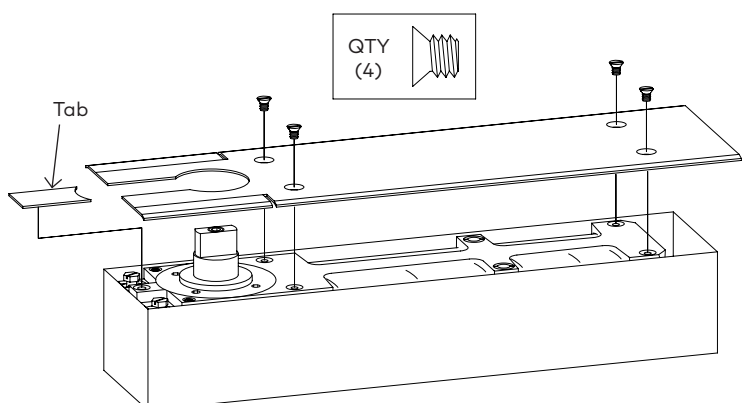
Fig.12

Sealing compound is recommended for exterior doors or areas with excessive moisture. Make all final adjustments before adding compound. Refer to instructions packed with compound for full details.

## 4 Covers

### 4.1 Install cover

Fig.13



- 4.1.1 Install cover plate or threshold.
- 4.1.2 Trim cover plate as required to match profile of pivot jamb.
- 4.1.3 Install cover plate with four screws provided.
- 4.1.4 Press tab in place behind spindle.
- 4.1.5 If threshold is installed, do not anchor threshold to closer body, since closer is adjustable within cement case.

