



8800 Series

Grade 1 Mortise Locks



never compromise

The value of any product is equal to the quality of the labor and materials put into making it. And the Yale® 8800 series mortise lock is a perfect example that true quality doesn't just happen. Meticulous design and engineering have gone into manufacturing a mortise lock that brings you versatility as well as uncompromising strength and durability.

With quick lever handing and a quick reversible latchbolt, lockset handing takes only seconds. Add a standard non-handed curved lip strike, and you have a no-hassle mortise lock that's quick and easy to install.

When it comes to strength, the Yale® 8800 series brings a new measure of security to the door. Its 1" throw stainless steel deadbolt extends further back into the reinforced steel case when in the locked position, providing added stability and resistance to abuse. Solid trim packages also provide deterrence to vandalism, making the 8800 series a prime player in your total opening security package.

For over 160 years, Yale Locks and Hardware has built a reputation on manufacturing products that exceed expectations of quality and reliability. The Yale 8800 series mortise lock is no exception, and to demonstrate that quality proves itself, we back it with a 10-year mechanical warranty.

We won't compromise, and neither should you.

8800

The Yale 8800 series mortise lock is an industry standard product. Suitable for installation on doors 1-3/4" to 3-1/4" thick with standard trims, these products have a 1" throw stainless steel deadbolt. The anti-friction one-piece latchbolt is stainless steel and has a 3/4" throw.

finishes

The Yale 8800 series mortise lock is available in the trim finishes as listed. All knobs, lever handles, roses, escutcheons, cylinder collars and other exposed parts are fabricated of either brass, bronze, stainless steel or zinc and will be compatible with the finish ordered. When ordering, specify the finish required by the ANSI/BHMA Code Number only. When locksets are ordered with different trim finishes on each side, specify the outside finish first, i.e. COR8817-2 x 612 x 625. The front and strike finish will match the inside finish unless specified otherwise.

camden escutcheon

8800 series locks with escutcheon trim are provided standard with the Camden (CN) escutcheon. This zinc die cast escutcheon features one-piece casting for superior strength. Locks with this escutcheon are ANSI/BHMA certified operational and security Grade 1 and will retrofit to existing Yale escutcheon preps. The aesthetics of the CN escutcheon provide a design continuum with Yale exit device trim for a consistent look throughout the facility.

windstorm

Certified (refer to local codes).



Hurricane

warranty

Yale 8800 series mechanical mortise locks carry a ten (10) year warranty and 8800 series electrified mortise locks carry a two (2) year warranty.

contents

- Introduction 2
- Finishes 2
- Features 3
- SL8800 4
- Facts and Figures 5
- Standard Lever Trim Installation 5
- Standard Lever Trim 6-9
- 8800RL Reflections® Trim 10-11
- Knob Trim 12-13
- Lockset Functions 14-23
- SecureX® Electrified 24-26
- SecureX® Electrified Accessories 27
- Cylinders 28-30
- Cylinder Collars 31-37
- Strikes 38
- Miscellaneous 39
- Occupancy Indicators 40
- How to Order 41
- Handing 42

ANSI/BHMA Code	Finish Description
605	Bright Brass, Clear Coated
606	Satin Brass, Clear Coated
609	Satin Brass, Blackened, Satin Relieved, Clear Coated
611	Bright Bronze, Clear Coated
612	Satin Bronze, Clear Coated
613	Dark Oxidized Satin Bronze, Oil Rubbed ¹
613E	Dark Oxidized Satin Bronze - equivalent
616	Satin Bronze, Blackened, and Satin Relieved, Clear Coated
618	Bright Nickel Plated, Clear Coated
619	Satin Nickel Plated, Clear Coated
620	Satin Nickel Plated, Blackened, Satin Relieved, Clear Coated
625	Bright Chrome Plated
626	Satin Chrome Plated
629	Bright Stainless Steel
630	Satin Stainless Steel
693	Black Painted
722	Black Oxidized Bronze, Oil Rubbed ²

1. New May 1, 2010
 2. Formerly 613 prior to May 1, 2010


Finish available with MicroShield® antimicrobial coating, additional finishes by special application. Consult factory for availability.

features

A.D.A.

The 8800FL meets accessibility guidelines of the Americans with Disabilities Act and the requirements of the Uniform Federal Accessibility standards and ANSI 117.1, all requiring ease of accessibility for the handicapped.

ANSI/BHMA

Certified ANSI/BHMA A156.13,  Series 1000, Operational Grade 1 (8800FL with CN escutcheon & SL8800 meet Security Grade 1).

bevel front

Yale 8800 series fronts are free-floating to adjust from flat to the standard bevel of 1/8" in 2".


door thickness

8800 series mortise locks are supplied as standard for 1-3/4" thick doors. For other than standard, specify the door thickness on the order: (i.e. 2", 2-1/4", etc.)

installations

8800 series mortise locks conform to ANSI/BHMA Specifications A156.115 which cover hardware preparations for steel doors and steel frames and A156.115-W which cover hardware preparations for wood doors with wood or steel frames.

microshield®

8800 series locks are available with MicroShield® antimicrobial coating.  *MicroShield* is a revolutionary hardware finish coating, using a silver ion based technology, which inhibits the growth of bacteria, algae, yeast, fungus, mold and mildew. *MicroShield* is non-toxic and lasts for the lifetime of the finish to which it is applied. To order, suffix option code "YMS".

Note: *MicroShield*® coating may vary finish color from architectural standards. *MicroShield* is not intended as a substitute for traditional infection control programs such as hand hygiene or use of disinfectants. Coated product must still be cleaned to insure the surfaces will be free of destructive microbes. Yale Locks & Hardware makes no representations or warranties, express or implied, as to the efficacy of the *MicroShield* antimicrobial.

ISO 9001

Designed and manufactured under a certified ISO 9001 quality system.

knurled designs

Where required by the local authority, trim can be knurled to be identifiable to the touch for blind persons. All knob designs except CA may be ordered knurled; all lever designs except designer trim and Reflections® trim (pages 9 & 11) may be ordered knurled.

Only the outside knob or lever will be knurled or abrasive coated unless specified otherwise. To order a complete lockset knurled or abrasive coated, suffix the lockset model number with "Knurled" or "Abrasive Coated," i.e. LF x CN8807 x "Knurled," LF x CN8817-2 x "Knurled Inside Only," AU x CN8828FL "Abrasive Coated."

lead shielding

All Yale 8800 series mortise locks are available with a lead shield for installation in lead-lined doors. To order, suffix the lockset model number with "lead-lined."

quick reversibility

Yale mortise locks with the same trim on both sides (knob x knob or lever x lever) are field reversible. These locks can be converted to accommodate the hand of the door. However, to reduce installation costs, it is recommended that the hand of the door be specified for each lockset ordered. If the hand of the door is not specified, RH will be furnished.

underwriters laboratories (UL - cUL)

Yale 8800 series mortise locks have been listed by Underwriters Laboratories Inc. for use on fire doors having a rating up to and including 3 hours and for use on 20 minute wood doors. This pertains to single swing doors not exceeding 4 feet in width and 8 feet in height and in doors mounted in pairs not exceeding 8 feet in either direction (unless otherwise noted in the individual listings.)

In general, single-point mortise locks or latches with 3/4" minimum latch throw are intended for the active leaf of doors mounted in pairs, with the inactive leaf provided with top and bottom flush or surface bolts of the manual, automatic, or self-latching type. The door Classification Marking specifies the minimum latch throw required for the individual door.

Yale 8800 series mortise locks with 3/4" throw latchbolts may also be used on single swing doors rated 1-1/2 hours or less, up to 4 feet in width and 9 feet in height. This is in addition to the rating mentioned above. All Yale 8800 Series Mortise Locks with Lever Handle Trim are UL listed for fire door applications. Underwriters Laboratories does not list locks with rabbeted fronts, locks with deadbolt only, or locks with hold-back feature on the latchbolt.

Note: Any retrofit or other field modification to a fire rated opening can potentially impact the fire rating of the opening, and Yale Locks & Hardware makes no representations or warranties concerning what such impact may be in any specific situation. When retrofitting any portion of an existing fire rated opening, or specifying and installing a new fire-rated opening, please consult with a code specialist or local code official (Authority Having Jurisdiction) to ensure compliance with all applicable codes and ratings.

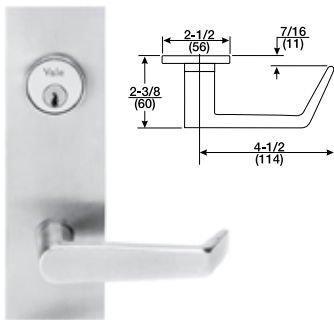


SL8800

Specifications for all levers below:

SL Escutcheon: 8" x 2-1/2"
Cylinder Collar: See pages 34-37
Material: Stainless steel escutcheon; Cast lever (plated to match stainless steel)

Augusta - AUSL



- The SL8800 series mortise lock features heavy-duty lever escutcheon trim and is designed primarily for applications in schools and other institutions where excessive abuse and vandalism may occur. It is also recommended for use in minimum security prisons and office buildings or apartment buildings located in "high crime" areas.
- Yale® SL8800 series lever escutcheon trims feature through-bolted installation with security head screws.
- Outside trim is held in place by threaded posts. Posts fit through holes in the door, above and below the lock case, and are secured by through-bolts from the inside trim.
- Levers are attached to the escutcheon for added security.
- Yale outside escutcheon trims have no visible screws – a great deterrent to vandalism.
- Each mortise lock ordered with lever trim features an internal heavy-duty spring cartridge which prevents lever sag.
- All Yale mortise lock trims are UL listed for fire door applications.
- SL8800's are offered with Augusta, Arcadia*, Carmel, Jefferson, Monroe, Pacific Beach and Virginia lever handle escutcheon trims. **Handed lever.*
- SL8800 series mortise locks are available in most lock functions. (See pages 14-23.)

Arcadia - ARSL



Carmel - CRSL



Jefferson - JNSL



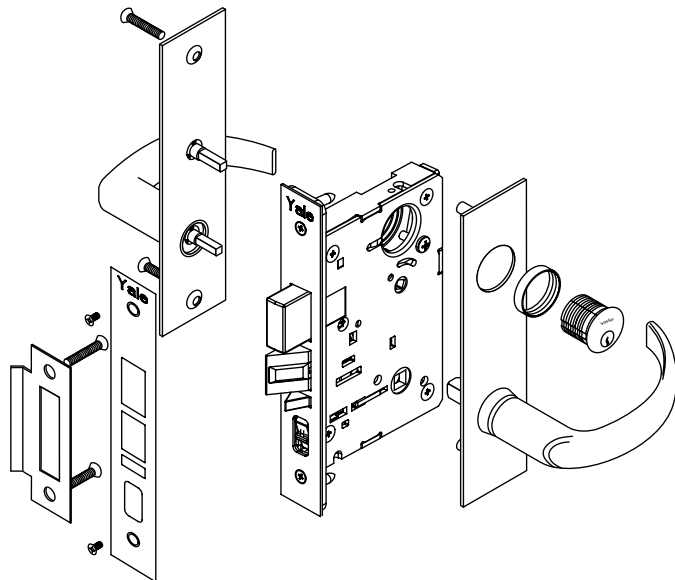
Monroe - MOSL



Pacific Beach - PBSL

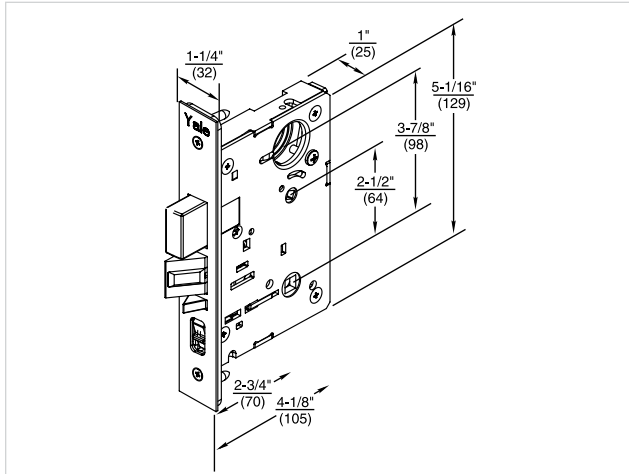


Virginia - VISL



facts and figures

8800/SL8800 series



Armor Front - 8" x 1-1/4"

Door Thickness - 1-3/4" standard, to 3-1/4" thick doors to order.

Deadbolt - 1" throw, solid investment cast stainless steel.

Latchbolt - 3/4" throw, stainless steel one-piece anti-friction.

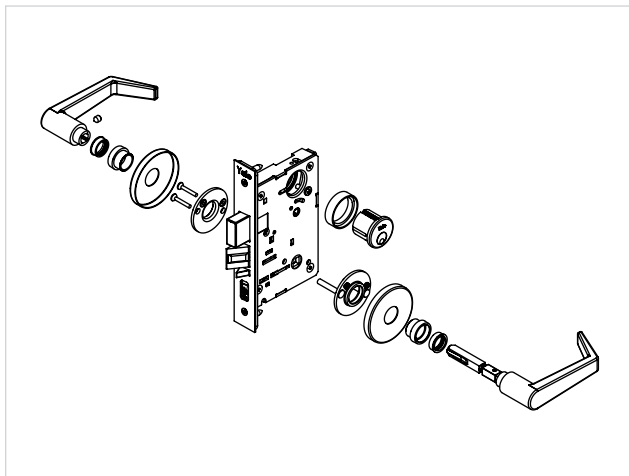
UL Listed - for application on labeled fire doors.

Backset - 2-3/4" only.

Case - wrought steel, zinc dichromated.

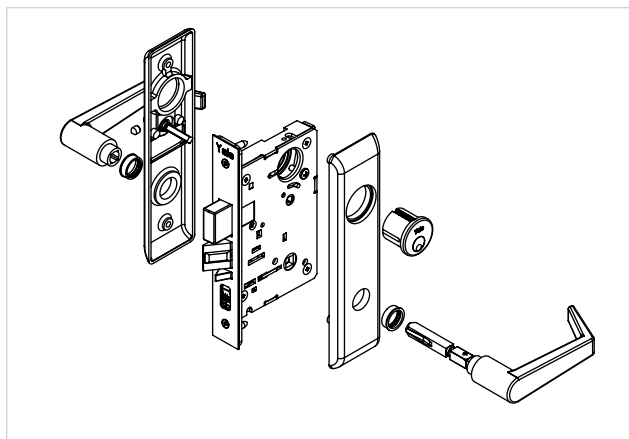
Hubs - 3/8" solid steel, fine-blanked and heat treated for additional strength.

sectional lever installation



- All Yale® 8800FL series sectional lever trims feature through-bolted installation. This ensures positive alignment of the trim with the lock case and offers an attractive appearance.
- Outside trim is held in place by threaded posts. The posts fit through holes in the lock case and are secured by through-bolts from the inside trim.
- Since self-aligning trim is easy to install, on-the-job labor costs may be reduced.
- Each mortise lock ordered with lever trim features an internal heavy-duty spring cartridge which prevents lever sag.
- All Yale mortise lock trims are UL listed for fire door applications.
- A variety of sectional lever designs are available as shown on pages 6-11.

escutcheon lever installation



- All Yale 8800FL series escutcheon lever trims feature through-bolted installation.
- Outside trim is held in place by threaded posts. The posts fit through the door and are secured by through-bolts from the inside trim.
- Yale outside escutcheon trims have no visible screws – a great deterrent to vandalism.
- Each mortise lock ordered with lever trim features an internal heavy-duty spring cartridge which prevents lever sag.
- All Yale mortise lock trims are UL listed for fire door applications.
- A variety of escutcheon lever designs are available as shown on pages 6-11.



standard lever trim

Arcadia - ARR

AR Lever Handle ³ :	Cast
CO Rose ¹ :	Stamped
Cylinder Collar:	See pages 32-33

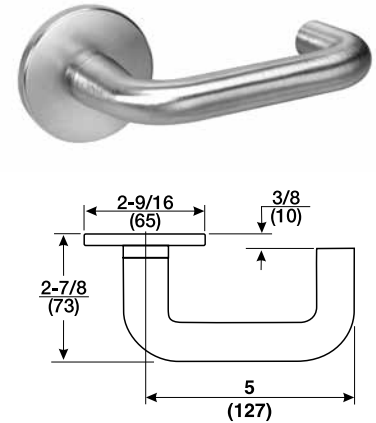
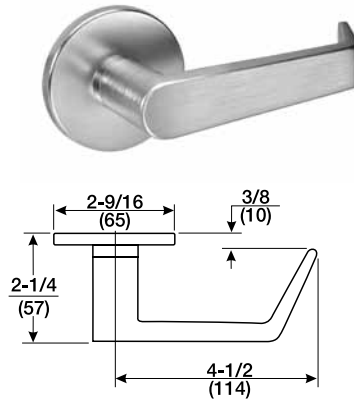
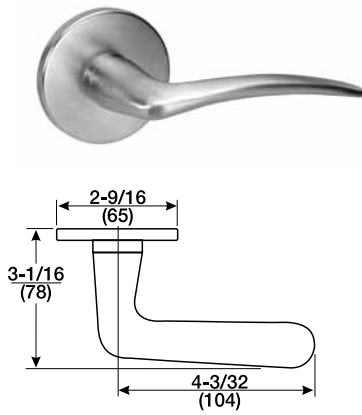
Augusta - AUR

AU Lever Handle:	Cast
CO Rose ¹ :	Stamped
Cylinder Collar:	See pages 32-33

Carmel - CRR

CR Lever Handle:	Cast
CO Rose ¹ :	Stamped
Cylinder Collar:	See pages 32-33

1. Available with Reflections® roses. See page 11 for options.



Arcadia - AR x CN

AR Lever Handle ³ :	Cast
CN Escutcheon ² :	Cast
Cylinder Collar:	See pages 34-37

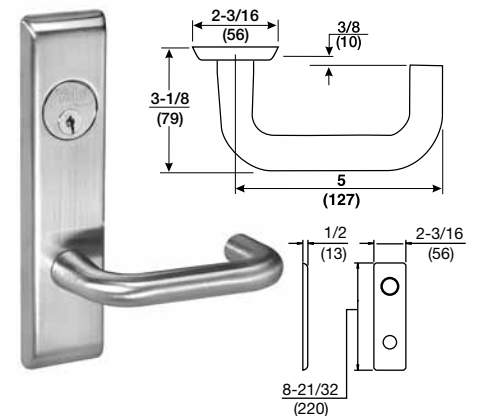
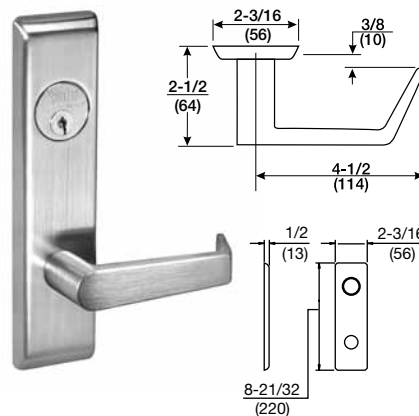
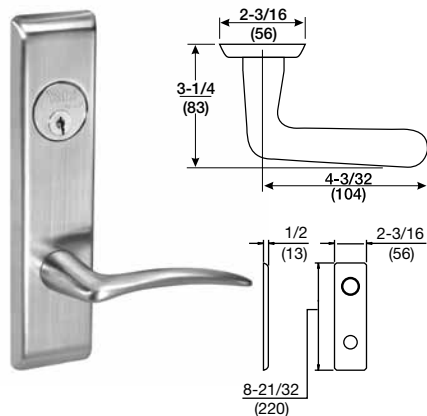
Augusta - AU x CN

AU Lever Handle:	Cast
CN Escutcheon ² :	Cast
Cylinder Collar:	See pages 34-37

Carmel - CR x CN

CR Lever Handle:	Cast
CN Escutcheon ² :	Cast
Cylinder Collar:	See pages 34-37

2. Available with Reflections® escutcheons. See page 11 for options.
3. Indicates levers that are handed.



standard lever trim

Jefferson - JNR

JN Lever Handle:	Cast
CO Rose ¹ :	Stamped
Cylinder Collar:	See pages 32-33

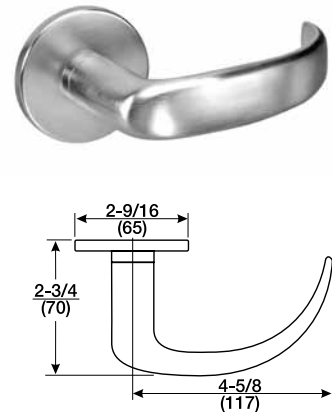
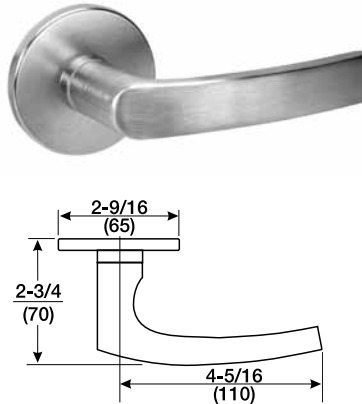
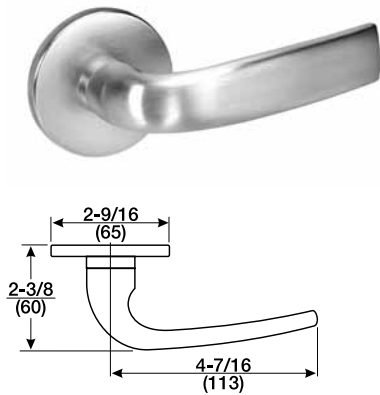
Monroe - MOR

MO Lever Handle:	Cast
CO Rose ¹ :	Stamped
Cylinder Collar:	See pages 32-33

Pacific Beach - PBR

PB Lever Handle:	Cast
CO Rose ¹ :	Stamped
Cylinder Collar:	See pages 32-33

1. Available with Reflections® roses. See page 11 for options.



Jefferson – JN x CN

JN Lever Handle:	Cast
CN Escutcheon ² :	Cast
Cylinder Collar:	See pages 34-37

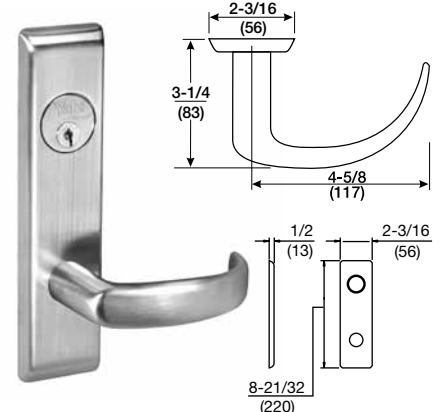
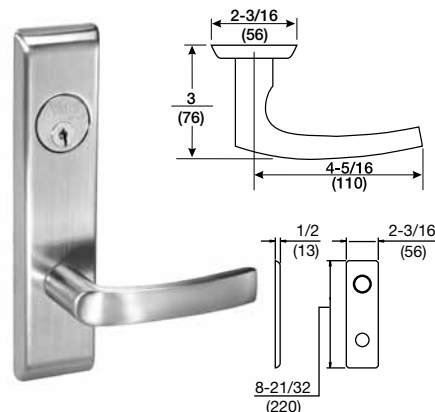
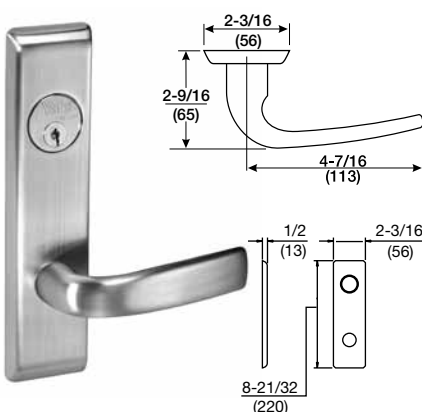
Monroe – MO x CN

MO Lever Handle:	Cast
CN Escutcheon ² :	Cast
Cylinder Collar:	See pages 34-37

Pacific Beach – PB x CN

PB Lever Handle:	Cast
CN Escutcheon ² :	Cast
Cylinder Collar:	See pages 34-37

2. Available with Reflections® escutcheons. See page 11 for options.





standard lever trim

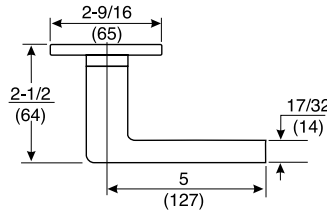
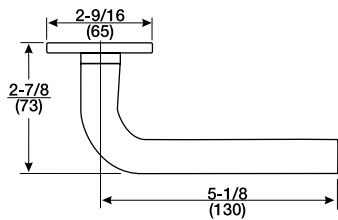
Pinehurst - PNR

PN Lever Handle:	Cast
CO Rose ¹ :	Stamped
Cylinder Collar:	See pages 32-33

Virginia - VIR

VI Lever Handle:	Cast
CO Rose ¹ :	Stamped
Cylinder Collar:	See pages 32-33

1. Available with Reflections® roses. See page 11 for options.



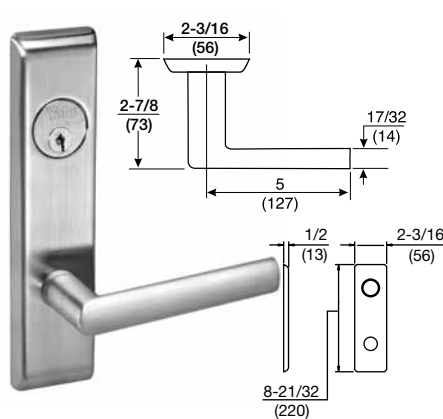
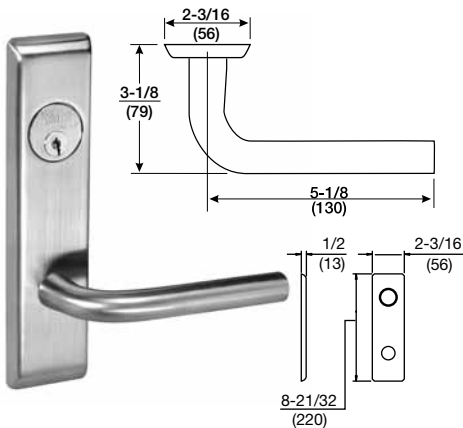
Pinehurst - PN x CN

PN Lever Handle:	Cast
CN Escutcheon ² :	Cast
Cylinder Collar:	See pages 34-37

Virginia - VI x CN

VI Lever Handle:	Cast
CN Escutcheon ² :	Cast
Cylinder Collar:	See pages 34-37

2. Available with Reflections® escutcheons. See page 11 for options.



designer trim

Hampton - HA

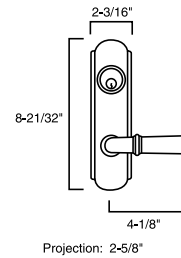
HA Lever Handle:	Cast	HA Lever Handle:	Cast
E1 or E2 Escutcheon:	Cast	R1 or R2 Rose:	Cast



HAE1



HAR1



escutcheons, roses and parts



E1

E2



R1



R2



Emergency Release



Thumbturn
1-1/2" x 1"
Projection

Designer trims are available in only the following finishes: 605, 606, 619, 625, 626

Designer trims are available with a choice of two roses and two escutcheons. When ordering utilize the design symbol (i.e. HA) and specific rose or escutcheon symbol (R1, R2, E1 or E2). An example of a complete symbol, including lever design, would be HAE1. Escutcheon E1 and Rose R1 are shown with above lever designs.



8800RL Reflections® decorative trim


introduction

Yale® 8800RL mortise locks are available with *Reflections* lever trim, a comprehensive line of highly stylized lever handles. *Reflections* lever handles are made from solid brass or stainless steel and can withstand years of abuse. Available in a multitude of finishes, the levers complement any wood grain or other door exterior. Each lever is hand-polished and specially designed for ergonomics and style.

features

- All 8800RL series lever trims feature through-bolted installation. For sectional trims, this ensures positive alignment of the trim with the lock case.
- All outside trim is held in place by threaded posts. For sectional trims, the posts fit through holes in the lock case and are secured by through-bolts from the inside trim. For escutcheon trims, the posts fit through the door and are secured by through-bolts from the inside trim.
- Outside escutcheon trims have no visible screws - a great deterrent to vandalism.
- 8800RL mortise locks feature an internal heavy-duty spring cartridge which prevents lever sag.
- All 8800RL trims are UL listed for fire door applications.
- Available for 1-3/4" to 3-1/4" thick doors.
- Lever, rose, and escutcheon designs are available as shown on page 11. Levers are also available for use with standard CO rose* and/or CN escutcheon as shown on pages 6-8.

finishes

ANSI/BHMA Code	Finish Description	US Code
605	Bright Brass, Clear Coated	US3
606	Satin Brass, Clear Coated	US4
611	Bright Bronze, Clear Coated	US9
612	Satin Bronze, Clear Coated	US10
613	Dark Oxidized Satin Bronze, Oil Rubbed ²	US10B
613E	Dark Oxidized Satin Bronze - equivalent	US10BE
N/A	Dark Oxidized Satin Bronze, Clear Coated ¹	US10BL
N/A	Statuary Dark Bronze, Clear Coated ¹	US20D
618	Bright Nickel Plated, Clear Coated	US14
619	Satin Nickel Plated, Clear Coated	US15
625	Bright Chrome Plated	US26
626	Satin Chrome Plated 	US26D
629	Bright Stainless Steel	US32
630	Satin Stainless Steel 	US32D
722	Black Oxidized Bronze, Oil Rubbed ³	

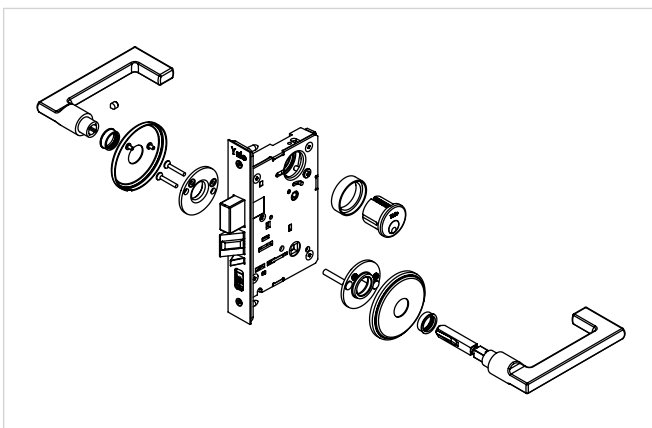
1. Yale finishes are designated by ANSI/BHMA codes. There is no equivalent designation and request will be processed by special order.

2. New May 1, 2010

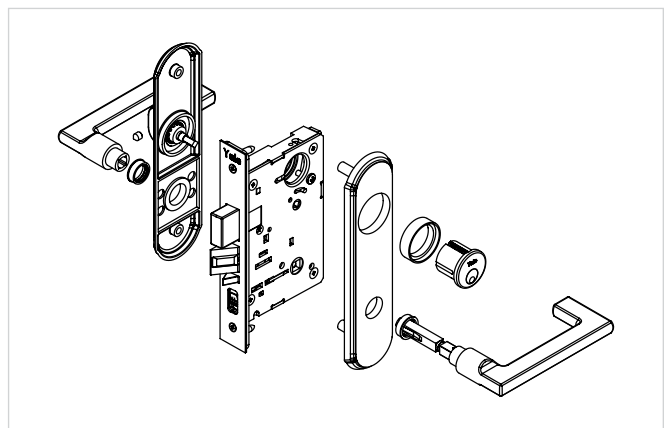
3. Formerly 613 prior to May 1, 2010

 **MicroShield® antimicrobial coating available as special application. Contact factory for availability.**

sectional lever installation

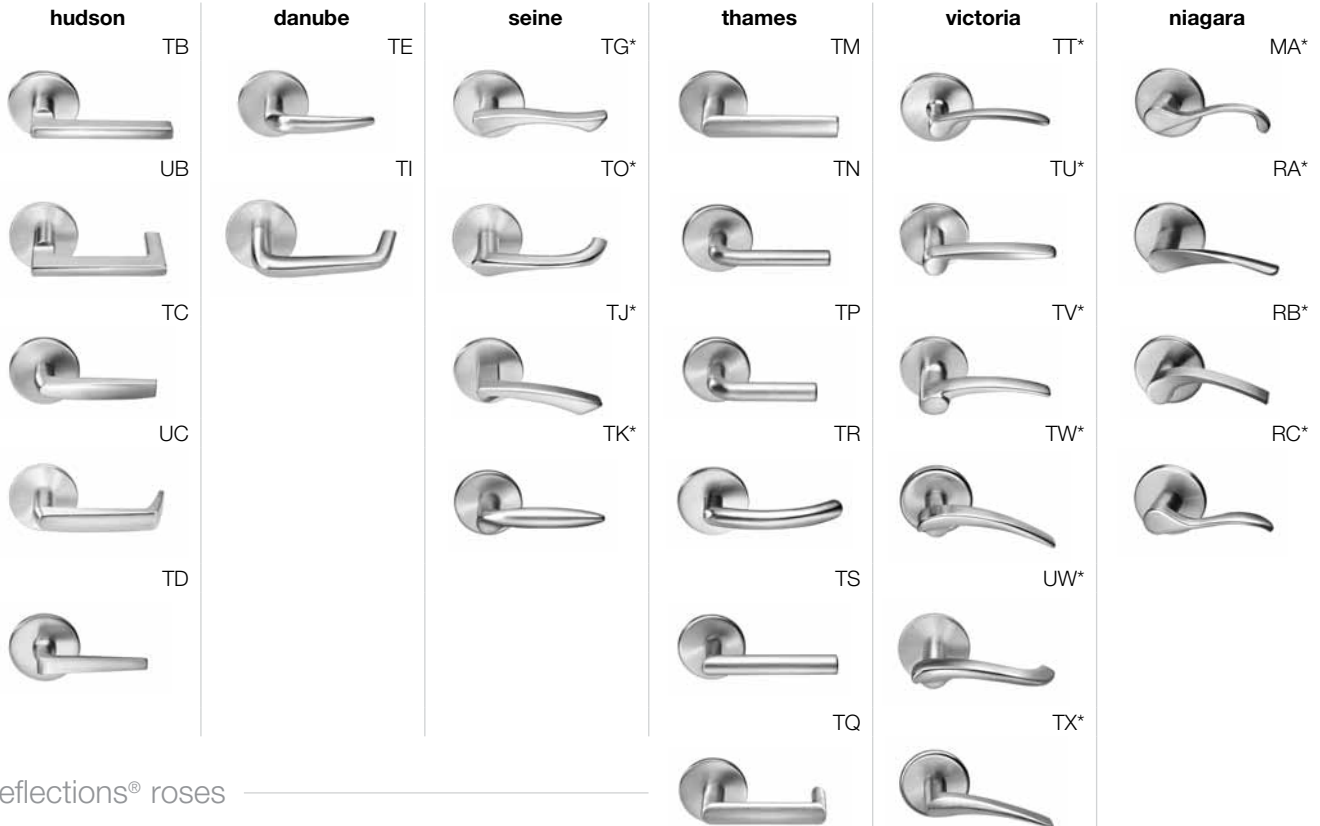


escutcheon lever installation

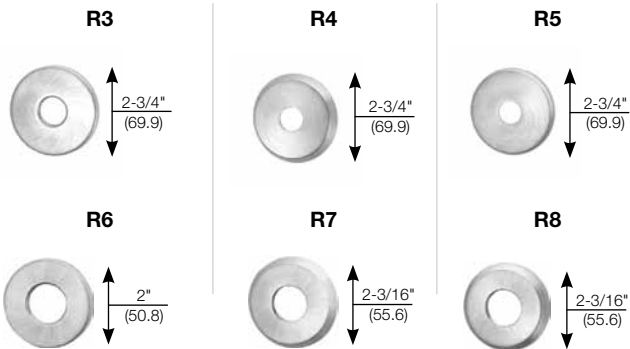


*When using *Reflections* Levers with the CO rose, the rose adaptor is not used. Levers will not install and/or properly operate if rose adaptor is included.

Reflections® trim



Reflections® roses



Reflections® escutcheons

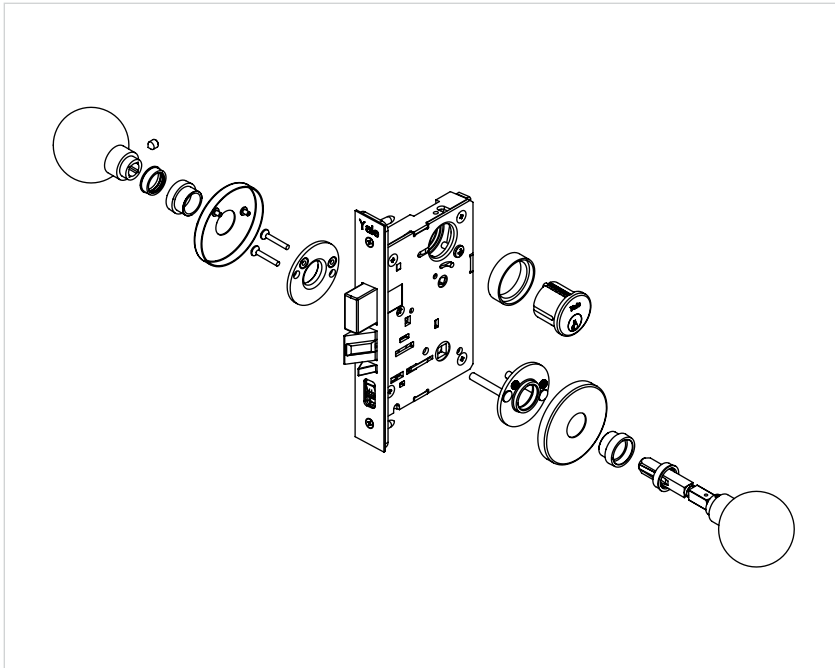


*Indicates levers that are handed.

Note: Reflections levers are also available for use with CO rose and/or CN escutcheon.

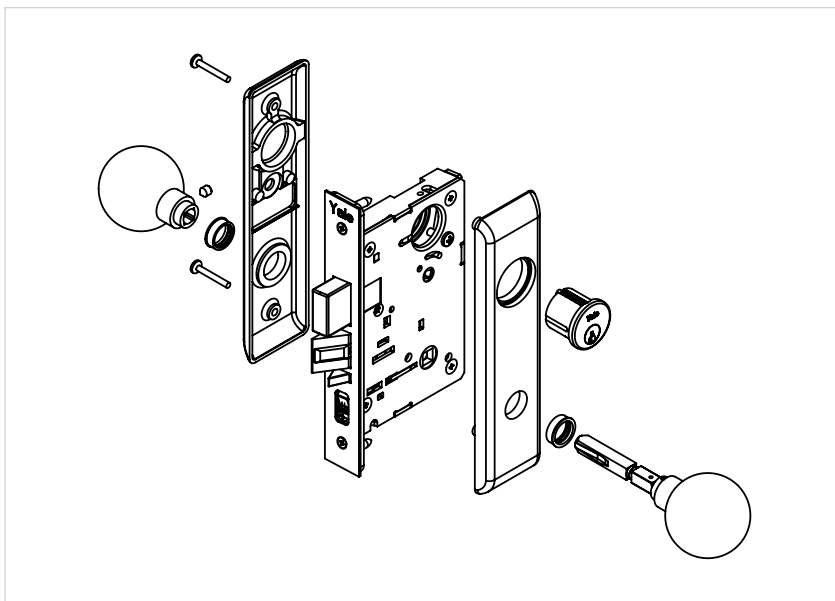
knob trim installation

sectional knob installation



- All Yale® 8800 series sectional knob trims feature through-bolted installation. This ensures positive alignment of the trim with the lock case and offers an attractive appearance.
- Outside trim is held in place by threaded posts. The posts fit through holes in the lock case and are secured by through-bolts from the inside trim.
- Since self-aligning trim is easy to install, on-the-job labor costs may be reduced.
- All Yale mortise lock trims are UL listed for fire door applications.
- Sectional knob designs are available as shown on page 13.

escutcheon knob installation



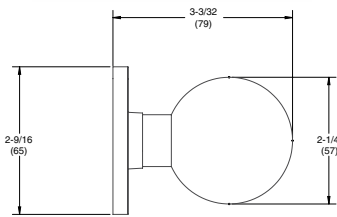
- All Yale 8800® series escutcheon knob trims feature through-bolted installation.
- Outside trim is held in place by threaded posts. The posts fit through the door and are secured by through-bolts from the inside trim.
- Yale outside escutcheon trims have no visible screws – a great deterrent to vandalism.
- All Yale mortise lock trims are UL listed for fire door applications.
- Escutcheon knob designs are available as shown on page 13.

knob trim

Copenhagen - COR

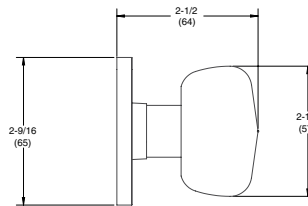
CO Knob:	Cast
CO Rose ¹ :	Stamped
Cylinder Collar:	See pages 32-33

1. Available with Reflections® roses. See page 11 for options.



Litchfield - LFR

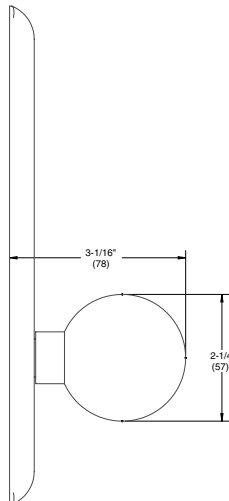
LF Knob:	Cast
CO Rose ¹ :	Stamped
Cylinder Collar:	See pages 32-33



Copenhagen – CO x CN

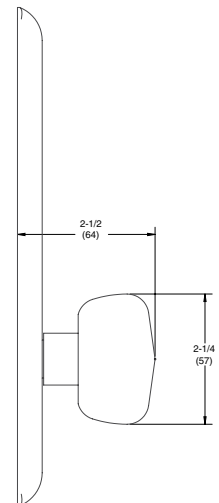
CO Knob:	Cast
CN Escutcheon ² :	Cast
Cylinder Collar:	See pages 34-37

2. Available with Reflections® escutcheons. See page 11 for options.



Litchfield – LF x CN

LF Knob:	Cast
CN Escutcheon ² :	Cast
Cylinder Collar:	See pages 34-37



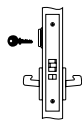
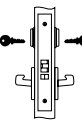
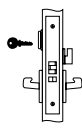
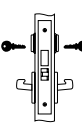


mechanical functions and descriptions

Mechanical Functions (ANSI)	Description / Model Numbers	Armor Front Part Number	*Cylinder	*Cam	Escutcheon Plate Spacing Numbers		Spindles		Illustration																								
					Outside	Inside	Knobs	Levers (Std.)																									
8801 Passage or closet latch (F01)	<ul style="list-style-type: none"> For doors that do not require locking. Latchbolt retracted by knob/lever either side at all times. <table border="1"> <thead> <tr> <th rowspan="2">Trim</th> <th colspan="2">Model Numbers</th> <th rowspan="2">Latchbolt Throw</th> </tr> <tr> <th>Knobs</th> <th>Levers</th> </tr> </thead> <tbody> <tr> <td>Standard</td> <td>8801</td> <td>8801FL</td> <td>3/4"</td> </tr> <tr> <td>SL</td> <td>—</td> <td>SL8801FL</td> <td>3/4"</td> </tr> <tr> <td>Reflections®</td> <td>—</td> <td>8801RL</td> <td>3/4"</td> </tr> </tbody> </table>	Trim	Model Numbers		Latchbolt Throw	Knobs	Levers	Standard	8801	8801FL	3/4"	SL	—	SL8801FL	3/4"	Reflections®	—	8801RL	3/4"	50-8801-x219-FIN	—	—	201	201	1178L	1178L							
	Trim		Model Numbers			Latchbolt Throw																											
		Knobs	Levers																														
	Standard	8801	8801FL	3/4"																													
SL	—	SL8801FL	3/4"																														
Reflections®	—	8801RL	3/4"																														
8802 Privacy, bedroom or bath lock (F19)	<ul style="list-style-type: none"> Latchbolt retracted by knob/lever either side. Deadbolt operated by thumbturn inside. When the deadbolt is projected, outside knob/lever is automatically locked. Anti-panic operation. Operating inside knob/lever retracts the latchbolt and deadbolt simultaneously, automatically unlocking outside knob/lever. In emergency, deadbolt may be unlocked from outside by E203 emergency key, supplied. <table border="1"> <thead> <tr> <th rowspan="2">Trim</th> <th colspan="2">Model Numbers</th> <th colspan="2">Throw</th> </tr> <tr> <th>Knobs</th> <th>Levers</th> <th>Latchbolt</th> <th>Deadbolt</th> </tr> </thead> <tbody> <tr> <td>Standard</td> <td>8802</td> <td>8802FL</td> <td>3/4"</td> <td>1"</td> </tr> <tr> <td>SL</td> <td>—</td> <td>SL8802FL</td> <td>3/4"</td> <td>1"</td> </tr> <tr> <td>Reflections®</td> <td>—</td> <td>8802RL</td> <td>3/4"</td> <td>1"</td> </tr> </tbody> </table>	Trim	Model Numbers		Throw		Knobs	Levers	Latchbolt	Deadbolt	Standard	8802	8802FL	3/4"	1"	SL	—	SL8802FL	3/4"	1"	Reflections®	—	8802RL	3/4"	1"	50-8802-x219-FIN	—	—	211 (261 for Occupancy Indicator)	211	1178L	1178L	
	Trim		Model Numbers		Throw																												
		Knobs	Levers	Latchbolt	Deadbolt																												
	Standard	8802	8802FL	3/4"	1"																												
SL	—	SL8802FL	3/4"	1"																													
Reflections®	—	8802RL	3/4"	1"																													
8805 Storeroom or closet lock (F07)	<ul style="list-style-type: none"> For use on storeroom, utility, exit doors. Latchbolt retracted by key outside, knob/lever inside. Outside knob/lever rigid at all times. Inside knob/lever always active. Deadlocking latchbolt. <table border="1"> <thead> <tr> <th rowspan="2">Trim</th> <th colspan="2">Model Numbers</th> <th rowspan="2">Latchbolt Throw</th> </tr> <tr> <th>Knobs</th> <th>Levers</th> </tr> </thead> <tbody> <tr> <td>Standard</td> <td>8805</td> <td>8805FL</td> <td>3/4"</td> </tr> <tr> <td>SL</td> <td>—</td> <td>SL8805FL</td> <td>3/4"</td> </tr> <tr> <td>Reflections®</td> <td>—</td> <td>8805RL</td> <td>3/4"</td> </tr> </tbody> </table>	Trim	Model Numbers		Latchbolt Throw	Knobs	Levers	Standard	8805	8805FL	3/4"	SL	—	SL8805FL	3/4"	Reflections®	—	8805RL	3/4"	50-8805-x219-FIN	2153	2160	208	201	1178L	1178L							
	Trim		Model Numbers			Latchbolt Throw																											
		Knobs	Levers																														
	Standard	8805	8805FL	3/4"																													
SL	—	SL8805FL	3/4"																														
Reflections®	—	8805RL	3/4"																														
8807 Entry lock (F04)	<ul style="list-style-type: none"> For office doors where locking is required. Latchbolt retracted by knob/lever either side, except when outside knob/lever is locked by stopwork activator. When outside knob/lever is locked, latchbolt is operated by key outside and knob/lever inside. Deadlocking latchbolt. <table border="1"> <thead> <tr> <th rowspan="2">Trim</th> <th colspan="2">Model Numbers</th> <th rowspan="2">Latchbolt Throw</th> </tr> <tr> <th>Knobs</th> <th>Levers</th> </tr> </thead> <tbody> <tr> <td>Standard</td> <td>8807</td> <td>8807FL</td> <td>3/4"</td> </tr> <tr> <td>SL</td> <td>—</td> <td>SL8807FL</td> <td>3/4"</td> </tr> <tr> <td>Reflections®</td> <td>—</td> <td>8807RL</td> <td>3/4"</td> </tr> </tbody> </table>	Trim	Model Numbers		Latchbolt Throw	Knobs	Levers	Standard	8807	8807FL	3/4"	SL	—	SL8807FL	3/4"	Reflections®	—	8807RL	3/4"	50-8807-x219-FIN	2153	2160	208	201	1178L	1178L							
	Trim		Model Numbers			Latchbolt Throw																											
		Knobs	Levers																														
	Standard	8807	8807FL	3/4"																													
SL	—	SL8807FL	3/4"																														
Reflections®	—	8807RL	3/4"																														

*Standard cylinder and cam indicated. For optional cylinders, see pages 28-30.

mechanical functions and descriptions

Mechanical Functions (ANSI)	Description / Model Numbers	Armor Front Part Number	*Cylinder	*Cam	Escutcheon Plate Spacing Numbers		Spindles		Illustration																									
					Outside	Inside	Knobs	Levers (Std.)																										
8808 Classroom lock (F05)	<ul style="list-style-type: none"> For classroom, office, or utility room doors. Latchbolt retracted by knob/lever either side, except when outside knob/lever is locked by key outside. Inside knob/lever always active. Deadlocking latchbolt. 	<table border="1"> <thead> <tr> <th rowspan="2">Trim</th> <th colspan="2">Model Numbers</th> <th rowspan="2">Latchbolt Throw</th> </tr> <tr> <th>Knobs</th> <th>Levers</th> </tr> </thead> <tbody> <tr> <td>Standard</td> <td>8808</td> <td>8808FL</td> <td>3/4"</td> </tr> <tr> <td>SL</td> <td>—</td> <td>SL8808FL</td> <td>3/4"</td> </tr> <tr> <td>Reflections®</td> <td>—</td> <td>8808RL</td> <td>3/4"</td> </tr> </tbody> </table>	Trim	Model Numbers		Latchbolt Throw	Knobs	Levers	Standard	8808	8808FL	3/4"	SL	—	SL8808FL	3/4"	Reflections®	—	8808RL	3/4"	50-8805-x219-FIN	2153	2160	208	201	1178L	1178L							
	Trim			Model Numbers			Latchbolt Throw																											
			Knobs	Levers																														
	Standard		8808	8808FL	3/4"																													
SL	—	SL8808FL	3/4"																															
Reflections®	—	8808RL	3/4"																															
8808-2 Intruder latchbolt lock (F32)	<ul style="list-style-type: none"> Latchbolt retracted by knob/lever either side unless outside knob/lever is locked by key. Either cylinder locks or unlocks outside knob/lever. Latchbolt can be retracted by key when outside knob/lever is locked. Operating inside knob/lever retracts latchbolt, but outside knob/lever remains locked. Deadlocking latchbolt. 	<table border="1"> <thead> <tr> <th rowspan="2">Trim</th> <th colspan="2">Model Numbers</th> <th rowspan="2">Latchbolt Throw</th> </tr> <tr> <th>Knobs</th> <th>Levers</th> </tr> </thead> <tbody> <tr> <td>Standard</td> <td>8808-2</td> <td>8808-2FL</td> <td>3/4"</td> </tr> <tr> <td>SL</td> <td>—</td> <td>SL8808-2FL</td> <td>3/4"</td> </tr> <tr> <td>Reflections®</td> <td>—</td> <td>8808-2RL</td> <td>3/4"</td> </tr> </tbody> </table>	Trim	Model Numbers		Latchbolt Throw	Knobs	Levers	Standard	8808-2	8808-2FL	3/4"	SL	—	SL8808-2FL	3/4"	Reflections®	—	8808-2RL	3/4"	50-8805-x219-FIN	2153 (both sides)	2160	208	208	1178L	1178L							
	Trim			Model Numbers			Latchbolt Throw																											
			Knobs	Levers																														
Standard	8808-2	8808-2FL	3/4"																															
SL	—	SL8808-2FL	3/4"																															
Reflections®	—	8808-2RL	3/4"																															
8809 Classroom or office lock	<ul style="list-style-type: none"> Latchbolt retracted by knob/lever either side unless outside knob/lever is locked by key outside or thumbturn inside. Latchbolt retracted by thumbturn inside or key outside. Inside knob/lever always active. Deadlocking latchbolt. 	<table border="1"> <thead> <tr> <th rowspan="2">Trim</th> <th colspan="2">Model Numbers</th> <th rowspan="2">Latchbolt Throw</th> </tr> <tr> <th>Knobs</th> <th>Levers</th> </tr> </thead> <tbody> <tr> <td>Standard</td> <td>8809</td> <td>8809FL</td> <td>3/4"</td> </tr> <tr> <td>SL</td> <td>—</td> <td>SL8809FL</td> <td>3/4"</td> </tr> <tr> <td>Reflections®</td> <td>—</td> <td>8809RL</td> <td>3/4"</td> </tr> </tbody> </table>	Trim	Model Numbers		Latchbolt Throw	Knobs	Levers	Standard	8809	8809FL	3/4"	SL	—	SL8809FL	3/4"	Reflections®	—	8809RL	3/4"	50-8805-x219-FIN	2153	2160	208	211	1178L	1178L							
	Trim			Model Numbers			Latchbolt Throw																											
			Knobs	Levers																														
Standard	8809	8809FL	3/4"																															
SL	—	SL8809FL	3/4"																															
Reflections®	—	8809RL	3/4"																															
8811-2 Intruder deadbolt lock (F33)	<ul style="list-style-type: none"> Latchbolt retracted by knob/lever either side unless outside knob/lever is locked by key. Deadbolt operated by key either side. When deadbolt is projected, outside knob/lever is automatically locked. Key retraction of deadbolt unlocks outside knob/lever. Anti-panic operation. Operating inside knob/lever retracts the latchbolt and deadbolt simultaneously, automatically unlocking outside knob/lever. 	<table border="1"> <thead> <tr> <th rowspan="2">Trim</th> <th colspan="2">Model Numbers</th> <th colspan="2">Throw</th> </tr> <tr> <th>Knobs</th> <th>Levers</th> <th>Latchbolt</th> <th>Deadbolt</th> </tr> </thead> <tbody> <tr> <td>Standard</td> <td>8811-2</td> <td>8811-2FL</td> <td>3/4"</td> <td>1"</td> </tr> <tr> <td>SL</td> <td>—</td> <td>SL8811-2FL</td> <td>3/4"</td> <td>1"</td> </tr> <tr> <td>Reflections®</td> <td>—</td> <td>8811-2RL</td> <td>3/4"</td> <td>1"</td> </tr> </tbody> </table>	Trim	Model Numbers		Throw		Knobs	Levers	Latchbolt	Deadbolt	Standard	8811-2	8811-2FL	3/4"	1"	SL	—	SL8811-2FL	3/4"	1"	Reflections®	—	8811-2RL	3/4"	1"	50-8802-x219-FIN	2153 (both sides)	2160	208	208	1178L	1178L	
	Trim			Model Numbers		Throw																												
			Knobs	Levers	Latchbolt	Deadbolt																												
Standard	8811-2	8811-2FL	3/4"	1"																														
SL	—	SL8811-2FL	3/4"	1"																														
Reflections®	—	8811-2RL	3/4"	1"																														

*Standard cylinder and cam indicated. For optional cylinders, see pages 28-30.

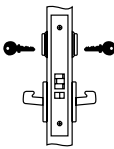
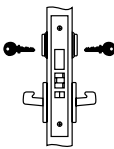
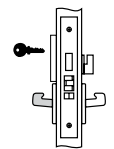
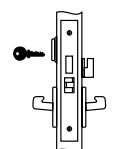


mechanical functions and descriptions

Mechanical Functions (ANSI)	Description / Model Numbers	Armor Front Part Number	*Cylinder	*Cam	Escutcheon Plate Spacing Numbers		Spindles		Illustration																								
					Outside	Inside	Knobs	Levers (Std.)																									
8812-2 Intruder deadbolt lock (F34)	<ul style="list-style-type: none"> Latchbolt retracted by knob/lever either side unless outside knob/lever is locked by key. Deadbolt operated by key either side. When deadbolt is projected, outside knob/lever is automatically locked. Key retraction of deadbolt unlocks outside knob/lever. Anti-panic operation. Operating inside knob/lever retracts the latchbolt and deadbolt simultaneously, automatically unlocking outside knob/lever. Deadlocking latchbolt. 	50-8820-x219-FIN	2153 (both sides)	2160	208	208	1178L	1178L																									
	<table border="1"> <thead> <tr> <th rowspan="2">Trim</th> <th colspan="2">Model Numbers</th> <th colspan="2">Throw</th> </tr> <tr> <th>Knobs</th> <th>Levers</th> <th>Latchbolt</th> <th>Deadbolt</th> </tr> </thead> <tbody> <tr> <td>Standard</td> <td>8812-2</td> <td>8812-2FL</td> <td>3/4"</td> <td>1"</td> </tr> <tr> <td>SL</td> <td>—</td> <td>SL8812-2FL</td> <td>3/4"</td> <td>1"</td> </tr> <tr> <td>Reflections®</td> <td>—</td> <td>8812-2RL</td> <td>3/4"</td> <td>1"</td> </tr> </tbody> </table>									Trim	Model Numbers		Throw		Knobs	Levers	Latchbolt	Deadbolt	Standard	8812-2	8812-2FL	3/4"	1"	SL	—	SL8812-2FL	3/4"	1"	Reflections®	—	8812-2RL	3/4"	1"
	Trim										Model Numbers		Throw																				
										Knobs	Levers	Latchbolt	Deadbolt																				
Standard	8812-2	8812-2FL	3/4"	1"																													
SL	—	SL8812-2FL	3/4"	1"																													
Reflections®	—	8812-2RL	3/4"	1"																													
8813ST Classroom deadlock (F29)	<ul style="list-style-type: none"> Deadbolt operated by key outside, thumbturn inside. Thumbturn inside will retract the deadbolt but will not project it. NOT UL listed. 	50-8813-x219-FIN	2153	2160	250	251	—	—																									
	<table border="1"> <thead> <tr> <th>Model Number</th> <th>Deadbolt Throw</th> </tr> </thead> <tbody> <tr> <td>8813ST</td> <td>1"</td> </tr> </tbody> </table>									Model Number	Deadbolt Throw	8813ST	1"																				
Model Number	Deadbolt Throw																																
8813ST	1"																																
8813ST-2 Classroom deadlock	<ul style="list-style-type: none"> Deadbolt operated by key either side. Thumbturn inside will retract the deadbolt but will not project it. NOT UL listed. 	50-8813-x219-FIN	2153 (both sides)	2160	250	252	—	—																									
	<table border="1"> <thead> <tr> <th>Model Number</th> <th>Deadbolt Throw</th> </tr> </thead> <tbody> <tr> <td>8813ST-2</td> <td>1"</td> </tr> </tbody> </table>									Model Number	Deadbolt Throw	8813ST-2	1"																				
Model Number	Deadbolt Throw																																
8813ST-2	1"																																
8814 Deadlock (F18)	<ul style="list-style-type: none"> Deadbolt operated by key outside only. No inside operation. NOT UL listed. 	50-8813-x219-FIN	2153	2160	250	—	—	—																									
	<table border="1"> <thead> <tr> <th>Model Number</th> <th>Deadbolt Throw</th> </tr> </thead> <tbody> <tr> <td>8814</td> <td>1"</td> </tr> </tbody> </table>									Model Number	Deadbolt Throw	8814	1"																				
Model Number	Deadbolt Throw																																
8814	1"																																
8814-2 Deadlock (F16)	<ul style="list-style-type: none"> Deadbolt operated by key either side. NOT UL listed. Note: Use only on rooms with more than one exit.	50-8813-x219-FIN	2153 (both sides)	2160	250	250	—	—																									
	<table border="1"> <thead> <tr> <th>Model Number</th> <th>Deadbolt Throw</th> </tr> </thead> <tbody> <tr> <td>8814-2</td> <td>1"</td> </tr> </tbody> </table>									Model Number	Deadbolt Throw	8814-2	1"																				
Model Number	Deadbolt Throw																																
8814-2	1"																																
8815 Deadlock (F17)	<ul style="list-style-type: none"> Deadbolt operated by key outside, thumbturn inside. NOT UL listed. 	50-8813-x219-FIN	2153	2160	250	251	—	—																									
	<table border="1"> <thead> <tr> <th>Model Number</th> <th>Deadbolt Throw</th> </tr> </thead> <tbody> <tr> <td>8815</td> <td>1"</td> </tr> </tbody> </table>									Model Number	Deadbolt Throw	8815	1"																				
Model Number	Deadbolt Throw																																
8815	1"																																

*Standard cylinder and cam indicated. For optional cylinders, see pages 28-30.

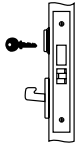
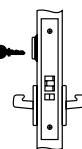
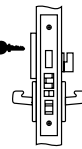
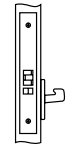
mechanical functions and descriptions

Mechanical Functions (ANSI)	Description / Model Numbers	Armor Front Part Number	*Cylinder		*Cam		Escutcheon Plate Spacing Numbers		Spindles		Illustration																								
			Outside	Inside	Outside	Inside	Outside	Inside	Knobs	Levers (Std.)																									
8817-2 Apartment, exit or public toilet lock (F09)	<ul style="list-style-type: none"> Latchbolt retracted by knob/lever either side, except when outside knob/lever is locked by key inside. When outside knob/lever is locked, latchbolt is operated by key outside and knob/lever inside. Deadlocking latchbolt. 	50-8805-x219-FIN	2153	2153S	2160	2130	208	208	1178L	1178L																									
	<table border="1"> <thead> <tr> <th rowspan="2">Trim</th> <th colspan="2">Model Numbers</th> <th colspan="2">Latchbolt Throw</th> </tr> <tr> <th>Knobs</th> <th>Levers</th> <th>Latchbolt</th> <th>Throw</th> </tr> </thead> <tbody> <tr> <td>Standard</td> <td>8817-2</td> <td>8817-2FL</td> <td>3/4"</td> <td></td> </tr> <tr> <td>SL</td> <td>—</td> <td>SL8817-2FL</td> <td>3/4"</td> <td></td> </tr> <tr> <td>Reflections®</td> <td>—</td> <td>8817-2RL</td> <td>3/4"</td> <td></td> </tr> </tbody> </table>											Trim	Model Numbers		Latchbolt Throw		Knobs	Levers	Latchbolt	Throw	Standard	8817-2	8817-2FL	3/4"		SL	—	SL8817-2FL	3/4"		Reflections®	—	8817-2RL	3/4"	
	Trim												Model Numbers		Latchbolt Throw																				
												Knobs	Levers	Latchbolt	Throw																				
Standard	8817-2	8817-2FL	3/4"																																
SL	—	SL8817-2FL	3/4"																																
Reflections®	—	8817-2RL	3/4"																																
8818-2 Classroom security intruder lock	<ul style="list-style-type: none"> Latchbolt retracted by knob/lever unless outside knob/lever is locked by key. Deadbolt operated by key either side. When deadbolt is projected, outside knob/lever is automatically locked. Key retraction of latchbolt by either side unlocks outside knob/lever. Anti-panic operation. Operating inside knob/lever retracts the latchbolt and deadbolt simultaneously, with outside knob/lever remaining locked. Deadlocking latchbolt. 	50-8820-x219-FIN	2153 (both sides)		2160		208	208	1178L	1178L																									
	<table border="1"> <thead> <tr> <th rowspan="2">Trim</th> <th colspan="2">Model Numbers</th> <th colspan="2">Throw</th> </tr> <tr> <th>Knobs</th> <th>Levers</th> <th>Latchbolt</th> <th>Deadbolt</th> </tr> </thead> <tbody> <tr> <td>Standard</td> <td>8818-2</td> <td>8818-2FL</td> <td>3/4"</td> <td>1"</td> </tr> <tr> <td>SL</td> <td>—</td> <td>SL8818-2FL</td> <td>3/4"</td> <td>1"</td> </tr> <tr> <td>Reflections®</td> <td>—</td> <td>8818-2RL</td> <td>3/4"</td> <td>1"</td> </tr> </tbody> </table>											Trim	Model Numbers		Throw		Knobs	Levers	Latchbolt	Deadbolt	Standard	8818-2	8818-2FL	3/4"	1"	SL	—	SL8818-2FL	3/4"	1"	Reflections®	—	8818-2RL	3/4"	1"
	Trim												Model Numbers		Throw																				
												Knobs	Levers	Latchbolt	Deadbolt																				
Standard	8818-2	8818-2FL	3/4"	1"																															
SL	—	SL8818-2FL	3/4"	1"																															
Reflections®	—	8818-2RL	3/4"	1"																															
8820 Hotel guest lock (F15)	<ul style="list-style-type: none"> Latchbolt retracted by key outside, knob/lever inside. Latchbolt retracted by master keys and change keys only when deadbolt is NOT projected. Deadbolt operated by emergency/shut-out or display key outside and thumbturn inside. When deadbolt is projected, the occupancy indicator shows "OCC" (indicating room is occupied). Access from outside can be gained only with an emergency/shut-out or display key. Outside knob/lever rigid at all times. Anti-panic operation. Operating inside knob/lever retracts the latchbolt and deadbolt simultaneously. Deadlocking latchbolt. Master key system must be 7-pin. 	50-8820-x219-FIN	2719		2160		260	211	1178L	1178L																									
	<table border="1"> <thead> <tr> <th rowspan="2">Trim</th> <th colspan="2">Model Numbers</th> <th colspan="2">Latchbolt Throw</th> </tr> <tr> <th>Knobs</th> <th>Levers</th> <th>Latchbolt</th> <th>Throw</th> </tr> </thead> <tbody> <tr> <td>Standard</td> <td>8820</td> <td>8820FL</td> <td>3/4"</td> <td></td> </tr> <tr> <td>SL</td> <td>—</td> <td>SL8820FL</td> <td>3/4"</td> <td></td> </tr> <tr> <td>Reflections®</td> <td>—</td> <td>8820RL</td> <td>3/4"</td> <td></td> </tr> </tbody> </table>											Trim	Model Numbers		Latchbolt Throw		Knobs	Levers	Latchbolt	Throw	Standard	8820	8820FL	3/4"		SL	—	SL8820FL	3/4"		Reflections®	—	8820RL	3/4"	
	Trim												Model Numbers		Latchbolt Throw																				
												Knobs	Levers	Latchbolt	Throw																				
Standard	8820	8820FL	3/4"																																
SL	—	SL8820FL	3/4"																																
Reflections®	—	8820RL	3/4"																																
8822 Dormitory or exit lock (F13)	<ul style="list-style-type: none"> Latchbolt retracted by knob/lever either side. Deadbolt operated by key outside and thumbturn inside. When the deadbolt is projected, outside knob/lever is automatically locked. Anti-panic operation. Operating inside knob/lever retracts the latchbolt and deadbolt simultaneously, automatically unlocking outside knob/lever. 	50-8802-x219-FIN	2153		2160		208	211	1178L	1178L																									
	<table border="1"> <thead> <tr> <th rowspan="2">Trim</th> <th colspan="2">Model Numbers</th> <th colspan="2">Throw</th> </tr> <tr> <th>Knobs</th> <th>Levers</th> <th>Latchbolt</th> <th>Deadbolt</th> </tr> </thead> <tbody> <tr> <td>Standard</td> <td>8822</td> <td>8822FL</td> <td>3/4"</td> <td>1"</td> </tr> <tr> <td>SL</td> <td>—</td> <td>SL8822FL</td> <td>3/4"</td> <td>1"</td> </tr> <tr> <td>Reflections®</td> <td>—</td> <td>8822RL</td> <td>3/4"</td> <td>1"</td> </tr> </tbody> </table>											Trim	Model Numbers		Throw		Knobs	Levers	Latchbolt	Deadbolt	Standard	8822	8822FL	3/4"	1"	SL	—	SL8822FL	3/4"	1"	Reflections®	—	8822RL	3/4"	1"
	Trim												Model Numbers		Throw																				
												Knobs	Levers	Latchbolt	Deadbolt																				
Standard	8822	8822FL	3/4"	1"																															
SL	—	SL8822FL	3/4"	1"																															
Reflections®	—	8822RL	3/4"	1"																															

*Standard cylinder and cam indicated. For optional cylinders, see pages 28-30.

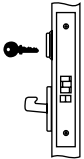
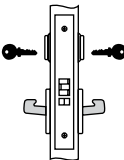
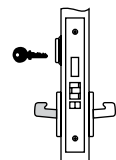
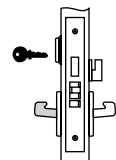


mechanical functions and descriptions

Mechanical Functions (ANSI)	Description / Model Numbers	Armor Front Part Number	*Cylinder	*Cam	Escutcheon Plate Spacing Numbers		Spindles		Illustration																								
					Outside	Inside	Knobs	Levers (Std.)																									
8823 Storeroom lock	<ul style="list-style-type: none"> Latchbolt retracted by knob/lever outside. Deadbolt operated by key outside. When deadbolt is projected, outside knob/lever is automatically locked. No inside knob/lever or cylinder. 	50-8802-x219-FIN	2153	2160	208	—	F1198	F1198																									
	<table border="1"> <thead> <tr> <th rowspan="2">Trim</th> <th colspan="2">Model Numbers</th> <th colspan="2">Throw</th> </tr> <tr> <th>Knobs</th> <th>Levers</th> <th>Latchbolt</th> <th>Deadbolt</th> </tr> </thead> <tbody> <tr> <td>Standard</td> <td>8823</td> <td>8823FL</td> <td>3/4"</td> <td>1"</td> </tr> <tr> <td>SL</td> <td>—</td> <td>SL8823FL</td> <td>3/4"</td> <td>1"</td> </tr> <tr> <td>Reflections®</td> <td>—</td> <td>8823RL</td> <td>3/4"</td> <td>1"</td> </tr> </tbody> </table>									Trim	Model Numbers		Throw		Knobs	Levers	Latchbolt	Deadbolt	Standard	8823	8823FL	3/4"	1"	SL	—	SL8823FL	3/4"	1"	Reflections®	—	8823RL	3/4"	1"
	Trim										Model Numbers		Throw																				
										Knobs	Levers	Latchbolt	Deadbolt																				
Standard	8823	8823FL	3/4"	1"																													
SL	—	SL8823FL	3/4"	1"																													
Reflections®	—	8823RL	3/4"	1"																													
<table border="1"> <thead> <tr> <th rowspan="2">Trim</th> <th colspan="2">Model Numbers</th> <th colspan="2">Latchbolt Throw</th> </tr> <tr> <th>Knobs</th> <th>Levers</th> <th>Latchbolt</th> <th>Throw</th> </tr> </thead> <tbody> <tr> <td>Standard</td> <td>8824</td> <td>8824FL</td> <td>3/4"</td> <td></td> </tr> <tr> <td>SL</td> <td>—</td> <td>SL8824FL</td> <td>3/4"</td> <td></td> </tr> <tr> <td>Reflections®</td> <td>—</td> <td>8824RL</td> <td>3/4"</td> <td></td> </tr> </tbody> </table>	Trim	Model Numbers		Latchbolt Throw		Knobs	Levers	Latchbolt	Throw	Standard	8824	8824FL	3/4"		SL	—	SL8824FL	3/4"		Reflections®	—	8824RL	3/4"										
Trim		Model Numbers		Latchbolt Throw																													
	Knobs	Levers	Latchbolt	Throw																													
Standard	8824	8824FL	3/4"																														
SL	—	SL8824FL	3/4"																														
Reflections®	—	8824RL	3/4"																														
<ul style="list-style-type: none"> For classroom, office, or utility room doors. Latchbolt retracted by knob/lever either side, except when outside knob/lever is locked by key outside. Latchbolt can be held in retracted position by outside cylinder. Inside knob/lever always active. Deadlocking latchbolt. NOT UL listed. 	50-8805-x219-FIN	2153	2160	208	211	1178L	1178L																										
<table border="1"> <thead> <tr> <th rowspan="2">Trim</th> <th colspan="2">Model Numbers</th> <th colspan="2">Latchbolt Throw</th> </tr> <tr> <th>Knobs</th> <th>Levers</th> <th>Latchbolt</th> <th>Throw</th> </tr> </thead> <tbody> <tr> <td>Standard</td> <td>8824</td> <td>8824FL</td> <td>3/4"</td> <td></td> </tr> <tr> <td>SL</td> <td>—</td> <td>SL8824FL</td> <td>3/4"</td> <td></td> </tr> <tr> <td>Reflections®</td> <td>—</td> <td>8824RL</td> <td>3/4"</td> <td></td> </tr> </tbody> </table>									Trim	Model Numbers		Latchbolt Throw		Knobs	Levers	Latchbolt	Throw	Standard	8824	8824FL	3/4"		SL	—	SL8824FL	3/4"		Reflections®	—	8824RL	3/4"		
Trim										Model Numbers		Latchbolt Throw																					
									Knobs	Levers	Latchbolt	Throw																					
Standard	8824	8824FL	3/4"																														
SL	—	SL8824FL	3/4"																														
Reflections®	—	8824RL	3/4"																														
<ul style="list-style-type: none"> Latchbolt retracted by knob/lever either side, except when outside knob/lever is independently locked by stopwork activator or automatically locked when the deadbolt is projected. Latchbolt retracted by master keys and change keys only when deadbolt is NOT projected. Deadbolt operated by emergency/shut-out or display key outside and thumbturn inside. When deadbolt is projected, the occupancy indicator shows "OCC" (indicating room is occupied). Access from outside can be gained only with an emergency/shut-out or display key. Anti-panic operation. Operating inside knob/lever automatically retracts latchbolt and deadbolt with outside knob/lever remaining locked. Deadlocking latchbolt. Master key system must be 7-pin. Function only available with CO, R6, R7, R8 roses or CN escutcheon. 	50-8847-x219-FIN	2719	2160	260	211	1178L	1178L																										
<table border="1"> <thead> <tr> <th rowspan="2">Trim</th> <th colspan="2">Model Numbers</th> <th colspan="2">Throw</th> </tr> <tr> <th>Knobs</th> <th>Levers</th> <th>Latchbolt</th> <th>Deadbolt</th> </tr> </thead> <tbody> <tr> <td>Standard</td> <td>8827</td> <td>8827FL</td> <td>3/4"</td> <td>1"</td> </tr> <tr> <td>SL</td> <td>—</td> <td>SL8827FL</td> <td>3/4"</td> <td>1"</td> </tr> <tr> <td>Reflections®</td> <td>—</td> <td>8827RL</td> <td>3/4"</td> <td>1"</td> </tr> </tbody> </table>									Trim	Model Numbers		Throw		Knobs	Levers	Latchbolt	Deadbolt	Standard	8827	8827FL	3/4"	1"	SL	—	SL8827FL	3/4"	1"	Reflections®	—	8827RL	3/4"	1"	
Trim										Model Numbers		Throw																					
									Knobs	Levers	Latchbolt	Deadbolt																					
Standard	8827	8827FL	3/4"	1"																													
SL	—	SL8827FL	3/4"	1"																													
Reflections®	—	8827RL	3/4"	1"																													
<ul style="list-style-type: none"> For twin communicating or exit doors where one-sided operation is required. Latchbolt retracted by knob/lever inside at all times. No outside operations. Deadlocking latchbolt. 	50-8805-x219-FIN	—	—	—	201	F1198	F1198																										
<table border="1"> <thead> <tr> <th rowspan="2">Trim</th> <th colspan="2">Model Numbers</th> <th colspan="2">Latchbolt Throw</th> </tr> <tr> <th>Knobs</th> <th>Levers</th> <th>Latchbolt</th> <th>Throw</th> </tr> </thead> <tbody> <tr> <td>Standard</td> <td>8828</td> <td>8828FL</td> <td>3/4"</td> <td></td> </tr> <tr> <td>SL</td> <td>—</td> <td>SL8828FL</td> <td>3/4"</td> <td></td> </tr> <tr> <td>Reflections®</td> <td>—</td> <td>8828RL</td> <td>3/4"</td> <td></td> </tr> </tbody> </table>									Trim	Model Numbers		Latchbolt Throw		Knobs	Levers	Latchbolt	Throw	Standard	8828	8828FL	3/4"		SL	—	SL8828FL	3/4"		Reflections®	—	8828RL	3/4"		
Trim										Model Numbers		Latchbolt Throw																					
									Knobs	Levers	Latchbolt	Throw																					
Standard	8828	8828FL	3/4"																														
SL	—	SL8828FL	3/4"																														
Reflections®	—	8828RL	3/4"																														

*Standard cylinder and cam indicated. For optional cylinders, see pages 28-30.

mechanical functions and descriptions

Mechanical Functions (ANSI)	Description / Model Numbers	Armor Front Part Number	*Cylinder	*Cam	Escutcheon Plate Spacing Numbers		Spindles		Illustration																									
					Outside	Inside	Knobs	Levers (Std.)																										
8829 Closet lock	<ul style="list-style-type: none"> Latchbolt retracted by knob/lever outside. Outside cylinder locks or unlocks outside knob/lever. No inside knob/lever or cylinder. Deadlocking latchbolt. 	<table border="1"> <thead> <tr> <th rowspan="2">Trim</th> <th colspan="2">Model Numbers</th> <th rowspan="2">Latchbolt Throw</th> </tr> <tr> <th>Knobs</th> <th>Levers</th> </tr> </thead> <tbody> <tr> <td>Standard</td> <td>8829</td> <td>8829FL</td> <td>3/4"</td> </tr> <tr> <td>SL</td> <td>—</td> <td>SL8829FL</td> <td>3/4"</td> </tr> <tr> <td>Reflections®</td> <td>—</td> <td>8829RL</td> <td>3/4"</td> </tr> </tbody> </table>	Trim	Model Numbers		Latchbolt Throw	Knobs	Levers	Standard	8829	8829FL	3/4"	SL	—	SL8829FL	3/4"	Reflections®	—	8829RL	3/4"	50-8805-x219-FIN	2153	2160	208	—	F1198	F1198							
	Trim			Model Numbers			Latchbolt Throw																											
			Knobs	Levers																														
	Standard		8829	8829FL	3/4"																													
SL	—	SL8829FL	3/4"																															
Reflections®	—	8829RL	3/4"																															
8830-2 Asylum or institutional lock (F30)	<ul style="list-style-type: none"> Latchbolt retracted by key both sides. Rigid knob/lever both sides for use as pulls only. Deadlocking latchbolt. 	<table border="1"> <thead> <tr> <th rowspan="2">Trim</th> <th colspan="2">Model Numbers</th> <th colspan="2">Throw</th> </tr> <tr> <th>Knobs</th> <th>Levers</th> <th>Latchbolt</th> <th>Deadbolt</th> </tr> </thead> <tbody> <tr> <td>Standard</td> <td>8830-2</td> <td>8830-2FL</td> <td>3/4"</td> <td>1"</td> </tr> <tr> <td>SL</td> <td>—</td> <td>SL8830-2FL</td> <td>3/4"</td> <td>1"</td> </tr> <tr> <td>Reflections®</td> <td>—</td> <td>8830-2RL</td> <td>3/4"</td> <td>1"</td> </tr> </tbody> </table>	Trim	Model Numbers		Throw		Knobs	Levers	Latchbolt	Deadbolt	Standard	8830-2	8830-2FL	3/4"	1"	SL	—	SL8830-2FL	3/4"	1"	Reflections®	—	8830-2RL	3/4"	1"	50-8805-x219-FIN	2153 (both sides)	2160	208	208	1173L	1173L	
	Trim			Model Numbers		Throw																												
			Knobs	Levers	Latchbolt	Deadbolt																												
	Standard		8830-2	8830-2FL	3/4"	1"																												
SL	—	SL8830-2FL	3/4"	1"																														
Reflections®	—	8830-2RL	3/4"	1"																														
8831 Detention lock	<ul style="list-style-type: none"> Latchbolt retracted by key outside, knob/lever inside. Latchbolt retracted by master keys and change keys only when deadbolt is NOT projected. Deadbolt operated by emergency (guards) key only outside. Inside knob/lever only opens door when deadbolt is in retracted position. Outside knob/lever rigid at all times. Deadlocking latchbolt. Trim mounted with fasteners outside. Furnished standard with TORX® security screws. Master key system must be 7-pin. 	<table border="1"> <thead> <tr> <th rowspan="2">Trim</th> <th colspan="2">Model Numbers</th> <th colspan="2">Throw</th> </tr> <tr> <th>Knobs</th> <th>Levers</th> <th>Latchbolt</th> <th>Deadbolt</th> </tr> </thead> <tbody> <tr> <td>Standard</td> <td>8831</td> <td>—</td> <td>3/4"</td> <td>1"</td> </tr> <tr> <td>SL</td> <td>—</td> <td>SL8831FL</td> <td>3/4"</td> <td>1"</td> </tr> </tbody> </table>	Trim	Model Numbers		Throw		Knobs	Levers	Latchbolt	Deadbolt	Standard	8831	—	3/4"	1"	SL	—	SL8831FL	3/4"	1"	50-8820-x219-FIN	2719	2160	201	208	1178L	1178L						
	Trim			Model Numbers		Throw																												
			Knobs	Levers	Latchbolt	Deadbolt																												
	Standard		8831	—	3/4"	1"																												
SL	—	SL8831FL	3/4"	1"																														
8832 Hotel/motel lock	<ul style="list-style-type: none"> Latchbolt retracted by key outside, knob/lever inside. Latchbolt retracted by master keys and change keys only when deadbolt is NOT projected. Deadbolt operated by emergency/shut-out or display key only outside and thumbturn inside. Outside knob/lever rigid at all times. Anti-panic operation. Operating inside knob/lever retracts the latchbolt and deadbolt simultaneously. Deadlocking latchbolt. Master key system must be 7-pin. 	<table border="1"> <thead> <tr> <th rowspan="2">Trim</th> <th colspan="2">Model Numbers</th> <th colspan="2">Throw</th> </tr> <tr> <th>Knobs</th> <th>Levers</th> <th>Latchbolt</th> <th>Deadbolt</th> </tr> </thead> <tbody> <tr> <td>Standard</td> <td>8832</td> <td>8832FL</td> <td>3/4"</td> <td>1"</td> </tr> <tr> <td>SL</td> <td>—</td> <td>SL8832FL</td> <td>3/4"</td> <td>1"</td> </tr> <tr> <td>Reflections®</td> <td>—</td> <td>8832RL</td> <td>3/4"</td> <td>1"</td> </tr> </tbody> </table>	Trim	Model Numbers		Throw		Knobs	Levers	Latchbolt	Deadbolt	Standard	8832	8832FL	3/4"	1"	SL	—	SL8832FL	3/4"	1"	Reflections®	—	8832RL	3/4"	1"	50-8820-x219-FIN	2719	2160	208	211	1178L	1178L	
	Trim			Model Numbers		Throw																												
			Knobs	Levers	Latchbolt	Deadbolt																												
	Standard		8832	8832FL	3/4"	1"																												
SL	—	SL8832FL	3/4"	1"																														
Reflections®	—	8832RL	3/4"	1"																														

*Standard cylinder and cam indicated. For optional cylinders, see pages 28-30.

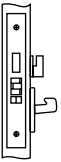
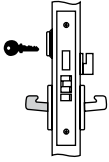
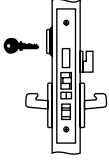
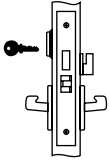
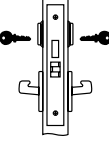


mechanical functions and descriptions

Mechanical Functions (ANSI)	Description / Model Numbers	Armor Front Part Number	*Cylinder		*Cam		Escutcheon Plate Spacing Numbers		Spindles		Illustration															
			Outside	Inside	Outside	Inside	Outside	Inside	Knobs	Levers (Std.)																
8833 Exit lock	<ul style="list-style-type: none"> Latchbolt retracted by key outside, knob/lever inside. No knob/lever outside. Deadlocking latchbolt. <table border="1"> <thead> <tr> <th rowspan="2">Trim</th> <th colspan="2">Model Numbers</th> <th rowspan="2">Latchbolt Throw</th> </tr> <tr> <th>Knobs</th> <th>Levers</th> </tr> </thead> <tbody> <tr> <td>Standard</td> <td>8833</td> <td>8833FL</td> <td>3/4"</td> </tr> <tr> <td>Reflections®</td> <td>—</td> <td>8833RL</td> <td>3/4"</td> </tr> </tbody> </table>	Trim	Model Numbers		Latchbolt Throw	Knobs	Levers	Standard	8833	8833FL	3/4"	Reflections®	—	8833RL	3/4"	50-8805-x219-FIN		2153		2160		250	201	F1198	F1198	
	Trim		Model Numbers			Latchbolt Throw																				
		Knobs	Levers																							
Standard	8833	8833FL	3/4"																							
Reflections®	—	8833RL	3/4"																							
8833-2 All-purpose lock	<ul style="list-style-type: none"> Latchbolt retracted by key both sides. No knob/lever either side. Deadlocking latchbolt. <table border="1"> <thead> <tr> <th>Model Number</th> <th>Latchbolt Throw</th> </tr> </thead> <tbody> <tr> <td>8833-2</td> <td>3/4"</td> </tr> </tbody> </table>	Model Number	Latchbolt Throw	8833-2	3/4"	50-8805-x219-FIN		2153 (both sides)		2160		250	250	—	—											
	Model Number	Latchbolt Throw																								
8833-2	3/4"																									
8834 All purpose lock	<ul style="list-style-type: none"> Latchbolt retracted by key outside, knob/lever inside. No knob/lever outside. Latchbolt can be held in retracted position by inside thumbturn cylinder. Deadlocking latchbolt. NOT UL listed. <table border="1"> <thead> <tr> <th rowspan="2">Trim</th> <th colspan="2">Model Numbers</th> <th rowspan="2">Latchbolt Throw</th> </tr> <tr> <th>Knobs</th> <th>Levers</th> </tr> </thead> <tbody> <tr> <td>Standard</td> <td>8834</td> <td>8834FL</td> <td>3/4"</td> </tr> <tr> <td>Reflections®</td> <td>—</td> <td>8834RL</td> <td>3/4"</td> </tr> </tbody> </table>	Trim	Model Numbers		Latchbolt Throw	Knobs	Levers	Standard	8834	8834FL	3/4"	Reflections®	—	8834RL	3/4"	50-8805-x219-FIN	2153	S2053S	2160	2130	250	208	F1198	F1198		
	Trim		Model Numbers			Latchbolt Throw																				
		Knobs	Levers																							
Standard	8834	8834FL	3/4"																							
Reflections®	—	8834RL	3/4"																							
8834-2 All purpose lock	<ul style="list-style-type: none"> For classroom, office, or utility room doors. Latchbolt retracted by key outside, knob/lever inside. No knob/lever outside. Latchbolt can be held in retracted position by inside cylinder. Deadlocking latchbolt. NOT UL listed. <table border="1"> <thead> <tr> <th rowspan="2">Trim</th> <th colspan="2">Model Numbers</th> <th rowspan="2">Latchbolt Throw</th> </tr> <tr> <th>Knobs</th> <th>Levers</th> </tr> </thead> <tbody> <tr> <td>Standard</td> <td>8834-2</td> <td>8834-2FL</td> <td>3/4"</td> </tr> <tr> <td>Reflections®</td> <td>—</td> <td>8834-2RL</td> <td>3/4"</td> </tr> </tbody> </table>	Trim	Model Numbers		Latchbolt Throw	Knobs	Levers	Standard	8834-2	8834-2FL	3/4"	Reflections®	—	8834-2RL	3/4"	50-8805-x219-FIN	2153	2153S	2160	2130	250	208	F1198	F1198		
	Trim		Model Numbers			Latchbolt Throw																				
		Knobs	Levers																							
Standard	8834-2	8834-2FL	3/4"																							
Reflections®	—	8834-2RL	3/4"																							

*Standard cylinder and cam indicated. For optional cylinders, see pages 28-30.

mechanical functions and descriptions

Mechanical Functions (ANSI)	Description / Model Numbers	Armor Front Part Number	*Cylinder	*Cam	Escutcheon Plate Spacing Numbers		Spindles		Illustration																									
					Outside	Inside	Knobs	Levers (Std.)																										
8835 Exit lock	<ul style="list-style-type: none"> Latchbolt retracted by knob/lever inside. Deadbolt operated by thumbturn inside. No outside operations. Anti-panic operation. Operating inside knob/lever retracts the latchbolt and deadbolt simultaneously. Deadlocking latchbolt. 	<table border="1"> <thead> <tr> <th rowspan="2">Trim</th> <th colspan="2">Model Numbers</th> <th colspan="2">Throw</th> </tr> <tr> <th>Knobs</th> <th>Levers</th> <th>Latchbolt</th> <th>Deadbolt</th> </tr> </thead> <tbody> <tr> <td>Standard</td> <td>8835</td> <td>8835FL</td> <td>3/4"</td> <td>1"</td> </tr> <tr> <td>SL</td> <td>—</td> <td>SL8835FL</td> <td>3/4"</td> <td>1"</td> </tr> <tr> <td>Reflections®</td> <td>—</td> <td>8835RL</td> <td>3/4"</td> <td>1"</td> </tr> </tbody> </table>	Trim	Model Numbers		Throw		Knobs	Levers	Latchbolt	Deadbolt	Standard	8835	8835FL	3/4"	1"	SL	—	SL8835FL	3/4"	1"	Reflections®	—	8835RL	3/4"	1"	50-8820-x219-FIN	—	—	211	F1198	F1198		
	Trim			Model Numbers		Throw																												
			Knobs	Levers	Latchbolt	Deadbolt																												
	Standard		8835	8835FL	3/4"	1"																												
SL	—	SL8835FL	3/4"	1"																														
Reflections®	—	8835RL	3/4"	1"																														
8840 Storeroom Deadbolt	<ul style="list-style-type: none"> Latchbolt retracted by key outside, knob/lever inside. Deadbolt operated by key outside and thumbturn inside. Outside knob/lever rigid at all times. Anti-panic operation. Operating inside knob/lever retracts the latchbolt and deadbolt simultaneously. Deadlocking latchbolt. 	<table border="1"> <thead> <tr> <th rowspan="2">Trim</th> <th colspan="2">Model Numbers</th> <th colspan="2">Throw</th> </tr> <tr> <th>Knobs</th> <th>Levers</th> <th>Latchbolt</th> <th>Deadbolt</th> </tr> </thead> <tbody> <tr> <td>Standard</td> <td>8840</td> <td>8840FL</td> <td>3/4"</td> <td>1"</td> </tr> <tr> <td>SL</td> <td>—</td> <td>SL8840FL</td> <td>3/4"</td> <td>1"</td> </tr> <tr> <td>Reflections®</td> <td>—</td> <td>8840RL</td> <td>3/4"</td> <td>1"</td> </tr> </tbody> </table>	Trim	Model Numbers		Throw		Knobs	Levers	Latchbolt	Deadbolt	Standard	8840	8840FL	3/4"	1"	SL	—	SL8840FL	3/4"	1"	Reflections®	—	8840RL	3/4"	1"	50-8820-x219-FIN	2153	2160	208	211	1178L	1178L	
	Trim			Model Numbers		Throw																												
			Knobs	Levers	Latchbolt	Deadbolt																												
Standard	8840	8840FL	3/4"	1"																														
SL	—	SL8840FL	3/4"	1"																														
Reflections®	—	8840RL	3/4"	1"																														
8847 Apartment corridor door lock (F20)	<ul style="list-style-type: none"> Latchbolt retracted by knob/lever either side, except when outside knob/lever is locked by stopwork activator. Deadbolt operated by key outside, thumbturn inside. When outside knob/lever is locked, latchbolt and deadbolt are operated by key outside. When deadbolt is projected, outside knob/lever is automatically locked. Anti-panic operation. Operating inside knob/lever automatically retracts latchbolt and deadbolt with outside knob/lever remaining locked. Deadlocking latchbolt. 	<table border="1"> <thead> <tr> <th rowspan="2">Trim</th> <th colspan="2">Model Numbers</th> <th colspan="2">Throw</th> </tr> <tr> <th>Knobs</th> <th>Levers</th> <th>Latchbolt</th> <th>Deadbolt</th> </tr> </thead> <tbody> <tr> <td>Standard</td> <td>8847</td> <td>8847FL</td> <td>3/4"</td> <td>1"</td> </tr> <tr> <td>SL</td> <td>—</td> <td>SL8847FL</td> <td>3/4"</td> <td>1"</td> </tr> <tr> <td>Reflections®</td> <td>—</td> <td>8847RL</td> <td>3/4"</td> <td>1"</td> </tr> </tbody> </table>	Trim	Model Numbers		Throw		Knobs	Levers	Latchbolt	Deadbolt	Standard	8847	8847FL	3/4"	1"	SL	—	SL8847FL	3/4"	1"	Reflections®	—	8847RL	3/4"	1"	50-8847-x219-FIN	2153	2160	208	211	1178L	1178L	
	Trim			Model Numbers		Throw																												
Knobs		Levers	Latchbolt	Deadbolt																														
Standard	8847	8847FL	3/4"	1"																														
SL	—	SL8847FL	3/4"	1"																														
Reflections®	—	8847RL	3/4"	1"																														
8860 Room door lock (F21)	<ul style="list-style-type: none"> Latchbolt retracted by knob/lever either side. Deadbolt operated by key outside, thumbturn inside. 	<table border="1"> <thead> <tr> <th rowspan="2">Trim</th> <th colspan="2">Model Numbers</th> <th colspan="2">Throw</th> </tr> <tr> <th>Knobs</th> <th>Levers</th> <th>Latchbolt</th> <th>Deadbolt</th> </tr> </thead> <tbody> <tr> <td>Standard</td> <td>8860</td> <td>8860FL</td> <td>3/4"</td> <td>1"</td> </tr> <tr> <td>SL</td> <td>—</td> <td>SL8860FL</td> <td>3/4"</td> <td>1"</td> </tr> <tr> <td>Reflections®</td> <td>—</td> <td>8860RL</td> <td>3/4"</td> <td>1"</td> </tr> </tbody> </table>	Trim	Model Numbers		Throw		Knobs	Levers	Latchbolt	Deadbolt	Standard	8860	8860FL	3/4"	1"	SL	—	SL8860FL	3/4"	1"	Reflections®	—	8860RL	3/4"	1"	50-8802-x219-FIN	2153	2160	208	211	1178L	1178L	
	Trim			Model Numbers		Throw																												
			Knobs	Levers	Latchbolt	Deadbolt																												
Standard	8860	8860FL	3/4"	1"																														
SL	—	SL8860FL	3/4"	1"																														
Reflections®	—	8860RL	3/4"	1"																														
8860-2 Store door lock (F14)	<ul style="list-style-type: none"> Latchbolt retracted by knob/lever either side. Deadbolt operated by key both sides. 	<table border="1"> <thead> <tr> <th rowspan="2">Trim</th> <th colspan="2">Model Numbers</th> <th colspan="2">Throw</th> </tr> <tr> <th>Knobs</th> <th>Levers</th> <th>Latchbolt</th> <th>Deadbolt</th> </tr> </thead> <tbody> <tr> <td>Standard</td> <td>8860-2</td> <td>8860-2FL</td> <td>3/4"</td> <td>1"</td> </tr> <tr> <td>SL</td> <td>—</td> <td>SL8860-2FL</td> <td>3/4"</td> <td>1"</td> </tr> <tr> <td>Reflections®</td> <td>—</td> <td>8860-2RL</td> <td>3/4"</td> <td>1"</td> </tr> </tbody> </table>	Trim	Model Numbers		Throw		Knobs	Levers	Latchbolt	Deadbolt	Standard	8860-2	8860-2FL	3/4"	1"	SL	—	SL8860-2FL	3/4"	1"	Reflections®	—	8860-2RL	3/4"	1"	50-8802-x219-FIN	2153 (both sides)	2160	208	208	1178L	1178L	
	Trim			Model Numbers		Throw																												
			Knobs	Levers	Latchbolt	Deadbolt																												
Standard	8860-2	8860-2FL	3/4"	1"																														
SL	—	SL8860-2FL	3/4"	1"																														
Reflections®	—	8860-2RL	3/4"	1"																														

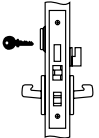
*Standard cylinder and cam indicated. For optional cylinders, see pages 28-30.

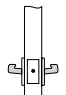
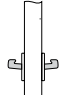

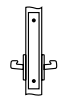
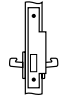
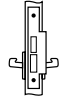
mechanical functions and descriptions

Mechanical Functions (ANSI)	Description / Model Numbers	Armor Front Part Number	*Cylinder	*Cam	Escutcheon Plate Spacing Numbers		Spindles		Illustration																								
					Outside	Inside	Knobs	Levers (Std.)																									
8861 Dormitory or storeroom lock	<ul style="list-style-type: none"> Latchbolt retracted by knob/lever either side. Deadbolt operated by key outside, thumbturn inside. When deadbolt is projected, outside knob/lever is automatically locked. When deadbolt is retracted, outside knob/lever is automatically unlocked. 	50-8802-x219-FIN	2153	2160	208	211	1178L	1178L																									
	<table border="1"> <thead> <tr> <th rowspan="2">Trim</th> <th colspan="2">Model Numbers</th> <th colspan="2">Throw</th> </tr> <tr> <th>Knobs</th> <th>Levers</th> <th>Latchbolt</th> <th>Deadbolt</th> </tr> </thead> <tbody> <tr> <td>Standard</td> <td>8861</td> <td>8861FL</td> <td>3/4"</td> <td>1"</td> </tr> <tr> <td>SL</td> <td>—</td> <td>SL8861FL</td> <td>3/4"</td> <td>1"</td> </tr> <tr> <td>Reflections®</td> <td>—</td> <td>8861RL</td> <td>3/4"</td> <td>1"</td> </tr> </tbody> </table>									Trim	Model Numbers		Throw		Knobs	Levers	Latchbolt	Deadbolt	Standard	8861	8861FL	3/4"	1"	SL	—	SL8861FL	3/4"	1"	Reflections®	—	8861RL	3/4"	1"
	Trim										Model Numbers		Throw																				
										Knobs	Levers	Latchbolt	Deadbolt																				
Standard	8861	8861FL	3/4"	1"																													
SL	—	SL8861FL	3/4"	1"																													
Reflections®	—	8861RL	3/4"	1"																													
<table border="1"> <thead> <tr> <th rowspan="2">Trim</th> <th colspan="2">Model Numbers</th> <th rowspan="2">Latchbolt Throw</th> </tr> <tr> <th>Knobs</th> <th>Levers</th> </tr> </thead> <tbody> <tr> <td>Standard</td> <td>8862</td> <td>8862FL</td> <td>3/4"</td> </tr> <tr> <td>SL</td> <td>—</td> <td>SL8862FL</td> <td>3/4"</td> </tr> <tr> <td>Reflections®</td> <td>—</td> <td>8862RL</td> <td>3/4"</td> </tr> </tbody> </table>	Trim	Model Numbers		Latchbolt Throw	Knobs	Levers	Standard	8862	8862FL	3/4"	SL	—	SL8862FL	3/4"	Reflections®	—	8862RL	3/4"															
Trim		Model Numbers			Latchbolt Throw																												
	Knobs	Levers																															
Standard	8862	8862FL	3/4"																														
SL	—	SL8862FL	3/4"																														
Reflections®	—	8862RL	3/4"																														
<table border="1"> <thead> <tr> <th rowspan="2">Trim</th> <th colspan="2">Model Numbers</th> <th rowspan="2">Latchbolt Throw</th> </tr> <tr> <th>Knobs</th> <th>Levers</th> </tr> </thead> <tbody> <tr> <td>Standard</td> <td>8864</td> <td>8864FL</td> <td>3/4"</td> </tr> <tr> <td>Reflections®</td> <td>—</td> <td>8864RL</td> <td>3/4"</td> </tr> </tbody> </table>	Trim	Model Numbers		Latchbolt Throw	Knobs	Levers	Standard	8864	8864FL	3/4"	Reflections®	—	8864RL	3/4"																			
Trim		Model Numbers			Latchbolt Throw																												
	Knobs	Levers																															
Standard	8864	8864FL	3/4"																														
Reflections®	—	8864RL	3/4"																														
8862 Privacy, bedroom or bath lock (F22)	<ul style="list-style-type: none"> Latchbolt retracted by knob/lever either side except when outside knob/lever is locked by thumbturn. Operating inside knob/lever retracts the latchbolt, automatically unlocking outside knob/lever. Outside emergency release unlocks outside knob/lever. E203 emergency key supplied. Automatically unlocks when door latches. 	50-8801-x219-FIN	—	—	211 (261 for Occupancy Indicator)	211	1178L	1178L																									
	<table border="1"> <thead> <tr> <th rowspan="2">Trim</th> <th colspan="2">Model Numbers</th> <th rowspan="2">Latchbolt Throw</th> </tr> <tr> <th>Knobs</th> <th>Levers</th> </tr> </thead> <tbody> <tr> <td>Standard</td> <td>8862</td> <td>8862FL</td> <td>3/4"</td> </tr> <tr> <td>SL</td> <td>—</td> <td>SL8862FL</td> <td>3/4"</td> </tr> <tr> <td>Reflections®</td> <td>—</td> <td>8862RL</td> <td>3/4"</td> </tr> </tbody> </table>									Trim	Model Numbers		Latchbolt Throw	Knobs	Levers	Standard	8862	8862FL	3/4"	SL	—	SL8862FL	3/4"	Reflections®	—	8862RL	3/4"						
	Trim										Model Numbers			Latchbolt Throw																			
										Knobs	Levers																						
Standard	8862	8862FL	3/4"																														
SL	—	SL8862FL	3/4"																														
Reflections®	—	8862RL	3/4"																														
<table border="1"> <thead> <tr> <th rowspan="2">Trim</th> <th colspan="2">Model Numbers</th> <th rowspan="2">Latchbolt Throw</th> </tr> <tr> <th>Knobs</th> <th>Levers</th> </tr> </thead> <tbody> <tr> <td>Standard</td> <td>8864</td> <td>8864FL</td> <td>3/4"</td> </tr> <tr> <td>Reflections®</td> <td>—</td> <td>8864RL</td> <td>3/4"</td> </tr> </tbody> </table>	Trim	Model Numbers		Latchbolt Throw	Knobs	Levers	Standard	8864	8864FL	3/4"	Reflections®	—	8864RL	3/4"																			
Trim		Model Numbers			Latchbolt Throw																												
	Knobs	Levers																															
Standard	8864	8864FL	3/4"																														
Reflections®	—	8864RL	3/4"																														
<table border="1"> <thead> <tr> <th rowspan="2">Trim</th> <th colspan="2">Model Numbers</th> <th rowspan="2">Latchbolt Throw</th> </tr> <tr> <th>Knobs</th> <th>Levers</th> </tr> </thead> <tbody> <tr> <td>Standard</td> <td>8865</td> <td>8865FL</td> <td>3/4"</td> </tr> <tr> <td>SL</td> <td>—</td> <td>SL8865FL</td> <td>3/4"</td> </tr> <tr> <td>Reflections®</td> <td>—</td> <td>8865RL</td> <td>3/4"</td> </tr> </tbody> </table>	Trim	Model Numbers		Latchbolt Throw	Knobs	Levers	Standard	8865	8865FL	3/4"	SL	—	SL8865FL	3/4"	Reflections®	—	8865RL	3/4"															
Trim		Model Numbers			Latchbolt Throw																												
	Knobs	Levers																															
Standard	8865	8865FL	3/4"																														
SL	—	SL8865FL	3/4"																														
Reflections®	—	8865RL	3/4"																														
8864 Bathroom lock with indicator	<ul style="list-style-type: none"> Latchbolt retracted by key outside, knob/lever inside. Occupancy indicator operated by thumbturn inside, key outside. When occupancy indicator shows OCC, key outside WILL operate occupancy indicator and retract latchbolt. Outside knob/lever rigid at all times. Inside knob/lever always active. Deadlocking latchbolt. Function only available with CO, R6, R7, R8 roses or CN escutcheon. 	50-8805-x219-FIN	2153	2160	260	211	1178L	1178L																									
	<table border="1"> <thead> <tr> <th rowspan="2">Trim</th> <th colspan="2">Model Numbers</th> <th rowspan="2">Latchbolt Throw</th> </tr> <tr> <th>Knobs</th> <th>Levers</th> </tr> </thead> <tbody> <tr> <td>Standard</td> <td>8864</td> <td>8864FL</td> <td>3/4"</td> </tr> <tr> <td>Reflections®</td> <td>—</td> <td>8864RL</td> <td>3/4"</td> </tr> </tbody> </table>									Trim	Model Numbers		Latchbolt Throw	Knobs	Levers	Standard	8864	8864FL	3/4"	Reflections®	—	8864RL	3/4"										
	Trim										Model Numbers			Latchbolt Throw																			
										Knobs	Levers																						
Standard	8864	8864FL	3/4"																														
Reflections®	—	8864RL	3/4"																														
<table border="1"> <thead> <tr> <th rowspan="2">Trim</th> <th colspan="2">Model Numbers</th> <th rowspan="2">Latchbolt Throw</th> </tr> <tr> <th>Knobs</th> <th>Levers</th> </tr> </thead> <tbody> <tr> <td>Standard</td> <td>8865</td> <td>8865FL</td> <td>3/4"</td> </tr> <tr> <td>SL</td> <td>—</td> <td>SL8865FL</td> <td>3/4"</td> </tr> <tr> <td>Reflections®</td> <td>—</td> <td>8865RL</td> <td>3/4"</td> </tr> </tbody> </table>	Trim	Model Numbers		Latchbolt Throw	Knobs	Levers	Standard	8865	8865FL	3/4"	SL	—	SL8865FL	3/4"	Reflections®	—	8865RL	3/4"															
Trim		Model Numbers			Latchbolt Throw																												
	Knobs	Levers																															
Standard	8865	8865FL	3/4"																														
SL	—	SL8865FL	3/4"																														
Reflections®	—	8865RL	3/4"																														
<table border="1"> <thead> <tr> <th rowspan="2">Trim</th> <th colspan="2">Model Numbers</th> <th rowspan="2">Latchbolt Throw</th> </tr> <tr> <th>Knobs</th> <th>Levers</th> </tr> </thead> <tbody> <tr> <td>Standard</td> <td>8865</td> <td>8865FL</td> <td>3/4"</td> </tr> <tr> <td>SL</td> <td>—</td> <td>SL8865FL</td> <td>3/4"</td> </tr> <tr> <td>Reflections®</td> <td>—</td> <td>8865RL</td> <td>3/4"</td> </tr> </tbody> </table>	Trim	Model Numbers		Latchbolt Throw	Knobs	Levers	Standard	8865	8865FL	3/4"	SL	—	SL8865FL	3/4"	Reflections®	—	8865RL	3/4"															
Trim		Model Numbers			Latchbolt Throw																												
	Knobs	Levers																															
Standard	8865	8865FL	3/4"																														
SL	—	SL8865FL	3/4"																														
Reflections®	—	8865RL	3/4"																														
8865 Bathroom lock	<ul style="list-style-type: none"> Latchbolt retracted by knob/lever either side except when outside knob/lever is locked by thumbturn either side. Outside thumbturn unlocks outside knob/lever. Automatically unlocks when door latches. Operating inside knob/lever retracts the latchbolt, automatically unlocking outside knob/lever. 	50-8801-x219-FIN	—	—	211	211	1178L	1178L																									
	<table border="1"> <thead> <tr> <th rowspan="2">Trim</th> <th colspan="2">Model Numbers</th> <th rowspan="2">Latchbolt Throw</th> </tr> <tr> <th>Knobs</th> <th>Levers</th> </tr> </thead> <tbody> <tr> <td>Standard</td> <td>8865</td> <td>8865FL</td> <td>3/4"</td> </tr> <tr> <td>SL</td> <td>—</td> <td>SL8865FL</td> <td>3/4"</td> </tr> <tr> <td>Reflections®</td> <td>—</td> <td>8865RL</td> <td>3/4"</td> </tr> </tbody> </table>									Trim	Model Numbers		Latchbolt Throw	Knobs	Levers	Standard	8865	8865FL	3/4"	SL	—	SL8865FL	3/4"	Reflections®	—	8865RL	3/4"						
	Trim										Model Numbers			Latchbolt Throw																			
										Knobs	Levers																						
Standard	8865	8865FL	3/4"																														
SL	—	SL8865FL	3/4"																														
Reflections®	—	8865RL	3/4"																														
<table border="1"> <thead> <tr> <th rowspan="2">Trim</th> <th colspan="2">Model Numbers</th> <th rowspan="2">Latchbolt Throw</th> </tr> <tr> <th>Knobs</th> <th>Levers</th> </tr> </thead> <tbody> <tr> <td>Standard</td> <td>8865</td> <td>8865FL</td> <td>3/4"</td> </tr> <tr> <td>SL</td> <td>—</td> <td>SL8865FL</td> <td>3/4"</td> </tr> <tr> <td>Reflections®</td> <td>—</td> <td>8865RL</td> <td>3/4"</td> </tr> </tbody> </table>	Trim	Model Numbers		Latchbolt Throw	Knobs	Levers	Standard	8865	8865FL	3/4"	SL	—	SL8865FL	3/4"	Reflections®	—	8865RL	3/4"															
Trim		Model Numbers			Latchbolt Throw																												
	Knobs	Levers																															
Standard	8865	8865FL	3/4"																														
SL	—	SL8865FL	3/4"																														
Reflections®	—	8865RL	3/4"																														
<table border="1"> <thead> <tr> <th rowspan="2">Trim</th> <th colspan="2">Model Numbers</th> <th rowspan="2">Latchbolt Throw</th> </tr> <tr> <th>Knobs</th> <th>Levers</th> </tr> </thead> <tbody> <tr> <td>Standard</td> <td>8865</td> <td>8865FL</td> <td>3/4"</td> </tr> <tr> <td>SL</td> <td>—</td> <td>SL8865FL</td> <td>3/4"</td> </tr> <tr> <td>Reflections®</td> <td>—</td> <td>8865RL</td> <td>3/4"</td> </tr> </tbody> </table>	Trim	Model Numbers		Latchbolt Throw	Knobs	Levers	Standard	8865	8865FL	3/4"	SL	—	SL8865FL	3/4"	Reflections®	—	8865RL	3/4"															
Trim		Model Numbers			Latchbolt Throw																												
	Knobs	Levers																															
Standard	8865	8865FL	3/4"																														
SL	—	SL8865FL	3/4"																														
Reflections®	—	8865RL	3/4"																														

*Standard cylinder and cam indicated. For optional cylinders, see pages 28-30.

8800 mechanical functions and descriptions

Mechanical Functions (ANSI)	Description / Model Numbers	Armor Front Part Number	*Cylinder	*Cam	Escutcheon Plate Spacing Numbers		Spindles		Illustration																						
					Outside	Inside	Knobs	Levers (Std.)																							
8867 Dormitory or exit lock (F12)	<ul style="list-style-type: none"> Latchbolt retracted by knob/lever either side, except when outside knob/lever is locked by stopwork activator or automatically locked when deadbolt is projected. Deadbolt operated by key outside, thumbturn inside. When outside knob/lever is locked, operating key outside retracts both latchbolt and deadbolt. Anti-panic operation. Operating inside knob/lever retracts the latchbolt and deadbolt simultaneously, with outside knob/lever remaining locked. 	50-8867-x219-FIN	2153	2160	208	211	1178L	1178L																							
	<table border="1"> <thead> <tr> <th rowspan="2">Trim</th> <th colspan="2">Model Numbers</th> <th colspan="2">Throw</th> </tr> <tr> <th>Knobs</th> <th>Levers</th> <th>Latchbolt</th> <th>Deadbolt</th> </tr> </thead> <tbody> <tr> <td>Standard</td> <td>8867</td> <td>8867FL</td> <td>3/4"</td> <td>1"</td> </tr> <tr> <td>SL</td> <td>—</td> <td>SL8867FL</td> <td>3/4"</td> <td>1"</td> </tr> <tr> <td>Reflections®</td> <td>—</td> <td>8867RL</td> <td>3/4"</td> <td>1"</td> </tr> </tbody> </table>	Trim	Model Numbers		Throw		Knobs	Levers	Latchbolt	Deadbolt	Standard	8867	8867FL	3/4"	1"	SL	—	SL8867FL	3/4"	1"	Reflections®	—	8867RL	3/4"	1"						
	Trim		Model Numbers		Throw																										
		Knobs	Levers	Latchbolt	Deadbolt																										
Standard	8867	8867FL	3/4"	1"																											
SL	—	SL8867FL	3/4"	1"																											
Reflections®	—	8867RL	3/4"	1"																											

Mechanical Functions (ANSI)	Description	Model Numbers		Armor Front Part Number	Illustration	Spindles			
		Knobs	Levers			Knobs	Levers (Std.)		
Dummy trim both sides	<ul style="list-style-type: none"> Push and pull only. Knob/lever both sides. Both knob/lever non-operational and rigid at all times. Plain rectangular front used with spindle-bar stabilizer. Available in all sectional and escutcheon trim. 	836A prefixed by design symbol (i.e. LFR836A, CO x CN836A)	838AFL prefixed by design symbol (i.e. JNR838AFL, JN x CN838AFL)	50-0836-2002-FIN		—	—		
Dummy trim both sides	<ul style="list-style-type: none"> Push or pull only. Knob/lever both sides of inactive leaf of a pair of doors. Both knob/lever non-operational and rigid at all times. Available in all sectional and escutcheon trim. 2815 Strike available upon request. 	836B prefixed by design symbol (i.e. COR836B, LF x CN836B)	838BFL prefixed by design symbol (i.e. JNR838BFL, JN x CN838BFL)	—		—	—		
Dummy trim one side	<ul style="list-style-type: none"> Push or pull only. Knob/lever one side. Knob/lever non-operational and rigid at all times. Available in all sectional and escutcheon trim. 	855 prefixed by design symbol (i.e. COR855)	855FL prefixed by design symbol (i.e. CR x CN855FL)	—		—	—		
Active dummy trim	<ul style="list-style-type: none"> Knob/lever both sides. Push or pull only. Primarily for lever handle trim. Knob/lever active to prevent damage. 8871DT – Armor front acts as strike for latchbolt only functions. 8872DT – Armor front acts as strike for latchbolt x deadbolt functions	Model Numbers		Armor Front	Armor Front Part Numbers	Illustration	1173L	1173L	
		Knobs	Levers						Reflections®
		8870DT	8870FLDT	8870RLDT	Plain	50-8870-7020-FIN			
		8871DT	8871FLDT	8871RLDT	Latchbolt Hole	RH = 50-8871-7020-FIN LH = 50-8871-7021-FIN			
8872DT	8872FLDT	8872RLDT	Latchbolt/Deadbolt Hole	RH = 50-8872-7020-FIN LH = 50-8872-7021-FIN					

Handing must be specified when ordering.

*Standard cylinder and cam indicated. For optional cylinders, see pages 28-30.



securex® electrified mortise lockset

applications

Stair tower doors, office doors, classrooms, interlocks, elevator lobby doors, laboratories, computer rooms, cashier stations, hospital equipment rooms and pharmaceutical storage rooms. For narrow frame profiles, consult factory.

trim designs

8800 electrified mortise locksets are available with all knob, lever, SL and Reflections® trims.

ANSI/BHMA

Certified ANSI/BHMA A156.13, Series 1000, Operational Grade 1 (8800FL with CN escutcheon & SL8800 meet Security Grade 1).



electrical specifications

Fail Safe/Fail Secure
Voltage: 12VDC or 24VDC Regulated
Current Draw:
.25A at 24VDC
.5A at 12VDC
Operating Temp.:
Max. 151°F (66°C)
Min. -31°F (-35°C)

All monitoring switches rated at:
2 Amp @ 30 VDC
3 Amp @ 125 VAC

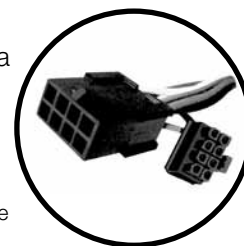
monitoring options

Model Number	Description
REX	Request to Exit - An SPDT switch that monitors activation of the free lever (not available with knob trim). REX is available for all mechanical and electrified functions and can be supplied alone or with either LBM or DBM.
LBM	Latchbolt Monitor - An SPDT switch that monitors full retraction of the latchbolt. LBM is available for all electrified functions and can be supplied alone or with REX.
DBM	Deadbolt Monitor - An SPDT switch that monitors full retraction of the deadbolt. DBM is available for all mechanical and electrified functions with a deadbolt and can be supplied alone or with REX.
ITS	Integrated Total Security - Enhanced security reporting allows facility supervisors to tailor decisions with greater certainty. Monitoring includes Request to Exit (REX), Lock Performance Monitoring (LPM), Concealed Door Position Status (DPS) and Cylinder Monitoring (CX). This monitoring option is available with 8890FL/8891FL or 8890RL/8891RL functions only. Locksets ordered with ITS option must be provided with Yale cylinder. Not available less cylinder. Handing must be specified.

electrolynx®



Yale® electrified 8800 locks are equipped with *ElectroLynx* connectors. As a standard feature, these connectors link power from the incoming source to electrified locking products, including hinges, locks, exit devices, magnetic holders and strikes.



Note: Electrified door hardware with *ElectroLynx* connectors require a compatible number of lead wires attached to the door hinge.

securex® functions and descriptions

fail safe

The following functions are locked when power is on and unlocked when power is off.

Function	# of Cyls	Description	Armor Front Part Number	Cylinders*		Cam(s)	Esc Plate Spacing Number		Spindles	
				Outside	Inside		Outside	Inside	Knobs	Levers
8880	0	<ul style="list-style-type: none"> • Power off – outside lever active • Power on – outside lever locked • Auxiliary latch deadlocks latchbolt • Inside lever always free • No key override 	50-8805-x219-FIN	N/A	N/A	N/A	201	201	1178L	1178L
8884	0	<ul style="list-style-type: none"> • Power off – both levers active • Power on – both levers locked • Auxiliary latch deadlocks latchbolt • No key override 	50-8805-x219-FIN	N/A	N/A	N/A	201	201	1178L	1178L
8890	1	<ul style="list-style-type: none"> • Power off – outside lever active • Power on – outside lever locked • Auxiliary latch deadlocks latchbolt • Inside lever always free • Mechanical key override by outside when locked 	50-8805-x219-FIN	2153	N/A	2160	208	201	1178L	1178L
8894-2	2	<ul style="list-style-type: none"> • Power off – both levers active • Power on – both levers locked • Auxiliary latch deadlocks latchbolt • Mechanical key override by both sides when locked 	50-8805-x219-FIN	2153	2153	2160	208	208	1178L	1178L
8896	1	<ul style="list-style-type: none"> • Power off – outside lever active (even when deadbolt thrown) • Power on – outside lever locked • Auxiliary latch deadlocks latchbolt • Deadbolt projected by key outside, thumbturn inside • Inside lever always free • Mechanical key override by outside when locked 	50-8820-x219-FIN	2153	N/A	2160	208	211	1178L	1178L
8896-2	2	<ul style="list-style-type: none"> • Power off – outside lever active (even when deadbolt thrown) • Power on – outside lever locked • Auxiliary latch deadlocks latchbolt • Deadbolt projected by key both sides • Inside lever always free • Mechanical key override by both sides when locked 	50-8820-x219-FIN	2153	2153	2160	208	208	1178L	1178L
8898	1	<ul style="list-style-type: none"> • Power off – both levers active (even when deadbolt thrown) • Power on – both levers locked • Auxiliary latch deadlocks latchbolt • Deadbolt projected by key outside, thumbturn inside • Mechanical key override by outside when locked 	50-8820-x219-FIN	2153	N/A	2160	208	211	1178L	1178L
8898-2	2	<ul style="list-style-type: none"> • Power off – both levers active (even when deadbolt thrown) • Power on – both levers locked • Auxiliary latch deadlocks latchbolt • Deadbolt projected by key both sides • Mechanical key override by both sides when locked 	50-8820-x219-FIN	2153	2153	2160	208	208	1178L	1178L

*Standard cylinder and cam indicated. For optional cylinders, see pages 28-30.



securex[®] functions and descriptions

fail secure

The following functions are unlocked when the power is on and locked when power is off.

Function	# of Cyls	Description	Armor Front Part Number	Cylinders*		Cam(s)	Esc Plate Spacing Number		Spindles	
				Outside	Inside		Outside	Inside	Knobs	Levers
8881	0	<ul style="list-style-type: none"> • Power off – outside lever locked • Power on – outside lever active • Auxiliary latch deadlocks latchbolt • Inside lever always free • No key override 	50-8805-x219-FIN	N/A	N/A	N/A	201	201	1178L	1178L
8885	0	<ul style="list-style-type: none"> • Power off – both levers locked • Power on – both levers active • Auxiliary latch deadlocks latchbolt • No key override 	50-8805-x219-FIN	N/A	N/A	N/A	201	201	1178L	1178L
8891	1	<ul style="list-style-type: none"> • Power off – outside lever locked • Power on – outside lever active • Auxiliary latch deadlocks latchbolt • Inside lever always free • Mechanical key override by outside when locked 	50-8805-x219-FIN	2153	N/A	2160	208	201	1178L	1178L
8895-2	2	<ul style="list-style-type: none"> • Power off – both levers locked • Power on – both levers active • Auxiliary latch deadlocks latchbolt • Mechanical key override by both sides when locked 	50-8805-x219-FIN	2153	2153	2160	208	208	1178L	1178L
8897	1	<ul style="list-style-type: none"> • Power off – outside lever locked • Power on – outside lever active (even when deadbolt thrown) • Auxiliary latch deadlocks latchbolt • Deadbolt projected by key outside, thumbturn inside • Inside lever always free • Mechanical key override by outside when locked 	50-8820-x219-FIN	2153	N/A	2160	208	211	1178L	1178L
8897-2	2	<ul style="list-style-type: none"> • Power off – outside lever locked • Power on – outside lever active (even when deadbolt thrown) • Auxiliary latch deadlocks latchbolt • Deadbolt projected by key both sides • Inside lever always free • Mechanical key override by both sides when locked 	50-8820-x219-FIN	2153	2153	2160	208	208	1178L	1178L
8899	1	<ul style="list-style-type: none"> • Power off – both levers locked • Power on – both levers active (even when deadbolt thrown) • Auxiliary latch deadlocks latchbolt • Deadbolt projected by key outside, thumbturn inside • Mechanical key override by outside when locked 	50-8820-x219-FIN	2153	N/A	2160	208	211	1178L	1178L
8899-2	2	<ul style="list-style-type: none"> • Power off – both levers locked • Power on – both levers active (even when deadbolt thrown) • Auxiliary latch deadlocks latchbolt • Deadbolt projected by key both sides • Mechanical key override by both sides when locked 	50-8820-x219-FIN	2153	2153	2160	208	208	1178L	1178L

*Standard cylinder and cam indicated. For optional cylinders, see pages 28-30.

securex[®] accessories

bps power supplies by securitron[®]

Operation

Power supplies are designed to provide reliable filtered and regulated power for long life to a variety of electrified hardware components.

Product Features

- Individual output circuit breakers
- Regulated and filtered fuse protected outputs
- LEDs monitor zone status (voltage or no voltage)
- Slide switches connect or disconnect load from power (Not available on 1 Amp supplies)
- Internal Back-Up battery charging circuit
- Rugged steel enclosure
- Fire alarm interface

Listings

- UL CLASS 2

Applications (use with):

- Fail Safe mortise locks
- Fail Secure mortise locks

Ordering

Ex: BPS-24-4, BPS-12-3

Model	Input	Output	Application
BPS-24-1	120 VAC	1 Amp @ 24 VDC	2-8800
BPS-24-2	120 VAC	2 Amp @ 24 VDC	5-8800
BPS-24-4	120 VAC	4 Amp @ 24 VDC	11-8800
BPS-12-1	120 VAC	1 Amp @ 12 VDC	1-8800
BPS-12-3	120 VAC	3 Amp @ 12 VDC	3-8800

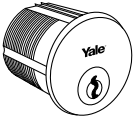
Consult factory for additional power supply applications.

Yale recommends McKinney[®], Pemko and Securitron[®] for power transfer devices and other electronic accessories.

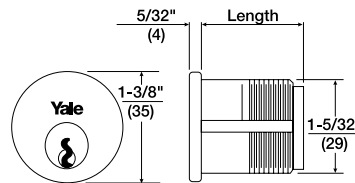


cylinders

conventional mortise cylinders

Illustration	Model Number	Application	Cam	Length	
				6-Pin	7-Pin
	2153	Standard cylinder	2160	1-1/8" 1-1/4" 1-3/8"	1-1/4" 1-3/8"
	2153S	For inside operation of 8817-2 and 8834-2 functions only	2130	1-1/2" 1-5/8" 1-3/4"	1-1/2" 1-5/8" 1-3/4"
	2123	Cylinder for longer lengths	2160	1-7/8" thru 3-1/2" in 1/8" increments*	
	2123S	For inside operation of 8817-2 and 8834-2 functions only for longer lengths	2130		
	2719	For hotel/motel locks 8820, 8827 and 8832	2160	1-3/8"	—

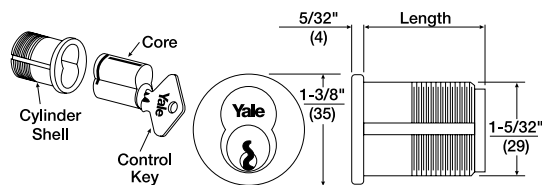
*Contact Technical Product Support for cylinder collar requirements when ordering these cylinders separately. See pages 32-37 for other collar requirements.



interchangeable core mortise cylinders

Cylinder Model Number	Application	Cam	Length	Pins	Housing Only Model Number	Core Only Model Number
2196	Standard Cylinder	2160	1-1/2", 1-3/4", 2"	6	2221	1210
2197	Standard Cylinder	2160	1-11/16", 2"	7	2213	1220
2196H	For Hotel/Motel Locks 8820, 8827, 8832	2160	1-11/16"	6	2213	1210H
2196S	For inside operations of 8817-2 and 8834-2 functions	2130	1-1/2"	6	2214S	1210
2197S	For inside operations of 8817-2 and 8834-2 functions	2130	1-11/16"	7	2217S	1220

Note: When ordering interchangeable core cylinders or cores only, control keys are not furnished. If control keys are required they must be ordered separately.

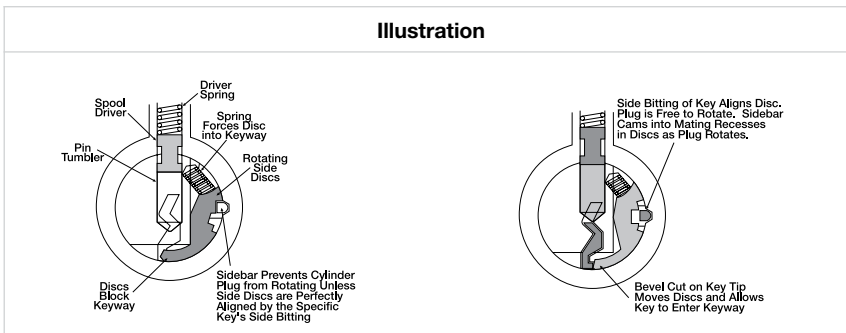


cylinders

security cylinders

Security cylinders contain two independent locking mechanisms. The first is a traditional 6- or 7-pin tumbler mechanism with spool drivers for greatly increased picking resistance.

The second is an innovative 5-tumbler rotating disc mechanism with sidebar engagement. The rotating discs are spring loaded and block the bottom of the keyway.



security/high security mortise cylinders

Model Number	Application	Cam	Length	
			6-pin	7-pin
5153/U5153	Standard Cylinder	2160	1-1/8"	1-1/4"
5153S/U5153S	For inside operations of 8817-2 and 8834-2 functions	2130	1-1/4"	
5719/U5719	For Hotel/Motel Locks 8820, 8827, 8832	2160	1-3/8"	

security interchangeable core mortise cylinders

Cylinder Model Number	Application	Cam	Length	Pins	Housing Only Model Number	Core Only Model Number
5196	Standard Cylinder	2160	1-1/2"	6	2221	5210
5197	Standard Cylinder	2160	1-11/16"	7	2213	5220
5196H	For Hotel/Motel Locks 8820, 8827, 8832	2160	1-11/16"	6	2213	5210H
5196S	For inside operations of 8817-2 and 8834-2 functions	2130	1-1/2"	6	2214S	5210
5197S	For inside operations of 8817-2 and 8834-2 functions	2130	1-11/16"	7	2217S	5220

Note: When ordering interchangeable core cylinders or cores only, control keys are not furnished. If control keys are required they must be ordered separately.



cylinders

Yale® KeyMark®

For those applications requiring protected key control, Yale® KeyMark® cylinders guard against unauthorized key duplication. The *Yale KeyMark Security Leg®* keyway feature increases resistance against picking and impressioning and can easily retrofit into existing systems. For further details and availability, refer to the separate *Yale KeyMark* catalog.

Protected Keyway Mortise Cylinders

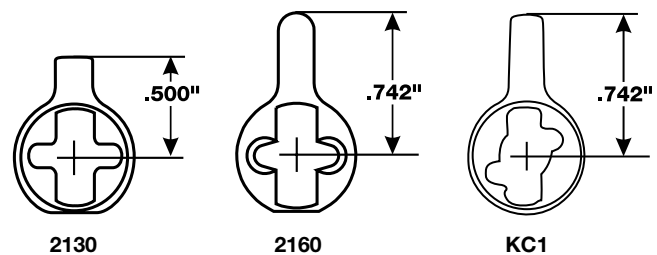
Model Number	Type	Cam	Length	Pins	Housing Only Model Number	Core Only Model Number
K100	Fixed Core Mortise	KC1	1-1/8", 1-1/4" 1-1/2", 1-3/4" 2"	6 or 7	N/A	N/A
K820	Large Format IC Mortise	KC1	1-1/2", 1-3/4" 2"	6	K860	K800
			1-11/16" 1-3/4", 2"	7		
K620	Small Format IC Mortise	KC1	1-1/4"	6	K660	K600
			1-3/8", 1-3/4"	6 or 7		
K630	Small Format IC Mortise-Tapered	KC1	1-1/4"	6	K670	K600
			1-3/8"	6 or 7		

Note: KC2 cam required for inside operation of 8817-2 and 8834-2 functions.

miscellaneous cylinder

Model Number	Application	Cam	Length
S2053S	Thumbturn cylinder, for inside operation of 8834 function only	2130	1" 1-1/8"
S2053	Thumbturn cylinder, for replacement of key operated cylinder.	2160	1" 1-1/8"

cams



other manufacturers keyway cylinders/cores

Illustration	Model Number	Type	Cam	Length	Pins	Housing Only Model Number	Core Only Model Number
	A620	Small Format IC Mortise, includes Best® Keyway Core. Available keyed random, master keyed or uncombined. Specify keyway A, B, C, D, E, F, G, H, J, K, L or M.	KC1	1-1/4"	6	K660	A600
				1-3/8" 1-3/4"	6 or 7		
	2553	Fixed Core Mortise Schlage® "C" Keyway Cylinder. Available 0-bitted or keyed random.	2160	1-1/8"	6	N/A	N/A

cylinder collars

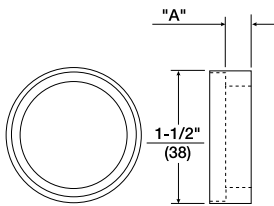
Cylinder collars are supplied as standard where required with those locksets supplied with cylinders. Collar size and thickness are supplied to suit the length of the cylinder, the thickness of the door and the trim ordered. (If door thickness is not specified, collars will be furnished for 1-3/4" (44mm) door.)

Collar length required must be specified for cylinders and/or housings ordered separately.

1765 Recessed Cylinder Collar

"A" Dimension: Thicknesses from 1/16" (2mm) to 1-15/32" (37mm) as required.

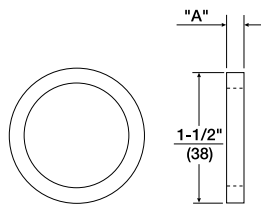
Material: Brass, Bronze



1766 Tubular Spacer Collar

"A" Dimension: 1/8" (3mm), 3/16" (5mm) and 5/16" (8mm)

Material: Brass, Bronze, Stainless Steel. (Used with U5153 and U5109 cylinders only.)



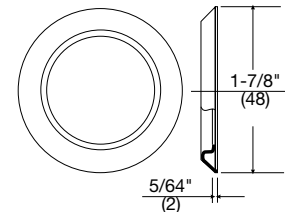
KP3 Wave Washer

(Furnished standard with 1765 collar for Yale® KeyMark® cylinders only).



KP4 Flush Mount Cylinder Collar

Material: Brass, Bronze





collars for use with standard sectional and all Reflections® trims _____

Door Thickness	Rose or Escutcheon Trim Design	No. of Pins	2153, 2153S, 5153, 2123, 2123S Fixed Core Mortise Cylinders		U5153, U5153S, H.S. Fixed Core Cylinders		2196, 2196S, 5196, 2197, 2197S, 5197 LFIC Cylinders		5719, 2719 Fixed Core Hotel/Motel Cylinders	
			Cylinder Length	Collar Required	Cylinder Length	Collar Required	Cylinder Length	Collar Required	Cylinder Length	Collar Required
1-3/4" (44)	CO, R1, R2, R3, R4, R5, R6, R7, R8, E1, E2, E3, E4	6	1-1/8"	1765.250	1-1/8"	No Collar	1-1/2"	1765.656	1-3/8"	1765.531
		6 or 7	1-1/4"	1765.375	1-1/4"	1766	1-11/16"	1765.844		
		6 or 7	1-3/8"	1765.531	1-3/8"	N/A				
		6 or 7	1-1/2"	1765.656	1-1/2"	N/A				
2" (51)	CO, R1, R2, R3, R4, R5, R6, R7, R8, E1, E2, E3, E4	6	1-1/8"	1765.125	1-1/8"	N/A	1-1/2"	1765.531	1-3/8"	1765.531
		6 or 7	1-1/4"	1765.250	1-1/4"	No Collar	1-11/16"	1765.719		
		6 or 7	1-3/8"	1765.375	1-3/8"	N/A				
		6 or 7	1-1/2"	1765.531	1-1/2"	N/A				
2-1/4" (57)	CO, R1, R2, R3, R4, R5, R6, R7, R8, E1, E2, E3, E4	6	1-1/8"	KP4	1-1/8"	No Collar	1-1/2"	1765.375	1-3/8"	1765.250
		6 or 7	1-1/4"	1765.125	1-1/4"	No Collar	1-11/16"	1765.563		
		6 or 7	1-3/8"	1765.250	1-3/8"	N/A				
		6 or 7	1-1/2"	1765.375	1-1/2"	N/A				
2-1/2" (64)	CO, R1, R2, R3, R4, R5, R6, R7, R8, E1, E2, E3, E4	6	1-1/8"	N/A	1-1/8"	N/A	1-1/2"	1765.250	1-3/8"	1765.125
		6 or 7	1-1/4"	KP4	1-1/4"	No Collar	1-11/16"	1765.469		
		6 or 7	1-3/8"	1765.125	1-3/8"	N/A				
		6 or 7	1-1/2"	1765.250	1-1/2"	N/A				
2-3/4" (70)	CO, R1, R2, R3, R4, R5, R6, R7, R8, E1, E2, E3, E4	6	1-1/8"	N/A	1-1/8"	N/A	1-1/2"	1765.125	1-3/8"	KP4
		6 or 7	1-1/4"	N/A	1-1/4"	N/A	1-11/16"	1765.344		
		6 or 7	1-3/8"	KP4	1-3/8"	N/A				
		6 or 7	1-1/2"	1765.125	1-1/2"	N/A				
3" (76)	CO, R1, R2, R3, R4, R5, R6, R7, R8, E1, E2, E3, E4	6	1-1/8"	N/A	1-1/8"	N/A	1-1/2"	KP4	1-3/8"	N/A
		6 or 7	1-1/4"	N/A	1-1/4"	N/A	1-11/16"	1765.187		
		6 or 7	1-3/8"	N/A	1-3/8"	N/A				
		6 or 7	1-1/2"	KP4	1-1/2"	N/A				
3-1/4" (83)	CO, R1, R2, R3, R4, R5, R6, R7, R8, E1, E2, E3, E4	6	1-1/8"	N/A	1-1/8"	N/A	1-1/2"	N/A	1-3/8"	N/A
		6 or 7	1-1/4"	N/A	1-1/4"	N/A	1-11/16"	1765.062		
		6 or 7	1-3/8"	N/A	1-3/8"	N/A				
		6 or 7	1-1/2"	N/A	1-1/2"	N/A				

N/A = Application Not Available

collars for use with standard sectional and all Reflections® trims

Door Thickness	Rose or Escutcheon Trim Design	No. of Pins	5196H, 2196H Hotel/Motel LFIC Cylinders		K100 Yale® KeyMark® Fixed Core Cylinders		K820, K860 Yale® KeyMark® LFIC Cylinders		K620, K630 K660, K670, A620, A630 Yale® KeyMark® and Best® Keyway SFIC Cylinders	
			Cylinder Length	Collar Required	Cylinder Length	Collar Required	Cylinder Length	Collar Required	Cylinder Length	Collar Required
1-3/4" (44)	CO, R1, R2, R3, R4, R5, R6, R7, R8, E1, E2, E3, E4	6	1-11/16"	1765.844	1-1/8"	1765.312	1-1/2"	1765.656	1-1/4"	1765.375
		6 or 7			1-1/4"	1765.375	1-11/16"	1765.844	1-3/8"	1765.563
		6 or 7			1-1/2"	1765.656				
		6 or 7								
2" (51)	CO, R1, R2, R3, R4, R5, R6, R7, R8, E1, E2, E3, E4	6	1-11/16"	1765.719	1-1/8"	1765.187	1-1/2"	1765.563	1-1/4"	1765.281
		6 or 7			1-1/4"	1765.281	1-11/16"	1765.750	1-3/8"	1765.469
		6 or 7			1-1/2"	1765.563				
		6 or 7								
2-1/4" (57)	CO, R1, R2, R3, R4, R5, R6, R7, R8, E1, E2, E3, E4	6	1-11/16"	1765.563	1-1/8"	1765.062	1-1/2"	1765.406	1-1/4"	1765.125
		6 or 7			1-1/4"	1765.125	1-11/16"	1765.594	1-3/8"	1765.312
		6 or 7			1-1/2"	1765.406				
		6 or 7								
2-1/2" (64)	CO, R1, R2, R3, R4, R5, R6, R7, R8, E1, E2, E3, E4	6	1-11/16"	1765.469	1-1/8"	N/A	1-1/2"	1765.281	1-1/4"	1765.062
		6 or 7			1-1/4"	1765.062	1-11/16"	1765.500	1-3/8"	1765.187
		6 or 7			1-1/2"	1765.281				
		6 or 7								
2-3/4" (70)	CO, R1, R2, R3, R4, R5, R6, R7, R8, E1, E2, E3, E4	6	1-11/16"	1765.344	1-1/8"	N/A	1-1/2"	1765.187	1-1/4"	N/A
		6 or 7			1-1/4"	N/A	1-11/16"	1765.375	1-3/8"	1765.062
		6 or 7			1-1/2"	1765.187				
		6 or 7								
3" (76)	CO, R1, R2, R3, R4, R5, R6, R7, R8, E1, E2, E3, E4	6	1-11/16"	1765.187	1-1/8"	N/A	1-1/2"	1765.062	1-1/4"	N/A
		6 or 7			1-1/4"	N/A	1-11/16"	1765.219	1-3/8"	N/A
		6 or 7			1-1/2"	1765.062				
		6 or 7								
3-1/4" (83)	CO, R1, R2, R3, R4, R5, R6, R7, R8, E1, E2, E3, E4	6	1-11/16"	1765.062	1-1/8"	N/A	1-1/2"	N/A	1-1/4"	N/A
		6 or 7			1-1/4"	N/A	1-11/16"	1765.062	1-3/8"	N/A
		6 or 7			1-1/2"	N/A				
		6 or 7								

N/A = Application Not Available



collars for use with standard escutcheon trim

Door Thickness	Escutcheon Trim Design	No. of Pins	2153, 2153S, 5153, 2123, 2123S Fixed Core Mortise Cylinders		U5153, U5153S, H.S. Fixed Core Cylinders		2196, 2196S, 5196, 2197, 2197S, 5197 LFIC Cylinders		5719, 2719 Fixed Core Hotel/Motel Cylinders		5198H, 2198H Hotel/Motel LFIC Cylinders		K100 Yale® KeyMark® Fixed Core Cylinders		K620, K660 Yale® KeyMark® LFIC Cylinders		K620, K630 K660, K670, A620, A630 Yale® KeyMark® and Best® Keyway SFIC Cylinders					
			Cylinder Length	Collar Required	Cylinder Length	Collar Required	Cylinder Length	Collar Required	Cylinder Length	Collar Required	Cylinder Length	Collar Required	Cylinder Length	Collar Required	Cylinder Length	Collar Required	Cylinder Length	Collar Required	Cylinder Length	Collar Required		
1-3/4" (44)	Copenhagen (R)	6	1-1/8"	1765.156	1-1/8"	No Collar	1-1/2"	1765.563	1-3/8"	1765.469	1-11/16"	1765.750	1-1/8"	1765.187	1-1/2"	1765.594	1-1/4"	1765.344	1-1/4"	1765.344		
		6 or 7	1-1/4"	1765.312	1-1/4"	No Collar	1-11/16"	1765.750					1-1/8"	1765.344	1-11/16"	1765.844	1-3/8"	1765.469				
		6 or 7	1-3/8"	1765.469	1-3/8"	No Collar								1-1/2"	1765.594							
	Camden (CN)	6	1-1/8"	No Collar	1-1/8"	N/A	1-1/2"	1765.219	1-3/8"	1765.094	1-11/16"	1765.469	1-1/8"	No Collar	1-1/2"	1765.250	1-1/4"	1765.500	1-1/4"	No Collar		
		6 or 7	1-1/4"	No Collar	1-1/4"	N/A	1-11/16"	1765.406					1-1/4"	No Collar	1-11/16"	1765.469	1-3/8"	1765.125	1-3/8"	1765.125		
		6 or 7	1-3/8"	1765.094	1-3/8"	N/A								1-1/2"	1765.250							
	SL	6	1-1/8"	1765.094	1-1/8"	N/A	1-1/2"	1765.469	1-3/8"	1765.344	1-11/16"	1765.656	1-1/8"	1765.125	1-1/2"	1765.500	1-1/4"	1765.500	1-1/4"	1765.156	1-1/4"	1765.156
		6 or 7	1-1/4"	1765.219	1-1/4"	No Collar	1-11/16"	1765.656					1-1/4"	1765.156	1-11/16"	1765.719	1-3/8"	1765.375	1-3/8"	1765.375		
		6 or 7	1-3/8"	1765.375	1-3/8"	N/A								1-1/2"	1765.500							
	Easton (CE)	6	1-1/8"	1765.062	1-1/8"	N/A	1-1/2"	1765.500	1-3/8"	1765.375	1-11/16"	1765.656	1-1/8"	1765.125	1-1/2"	1765.500	1-1/4"	1765.500	1-1/4"	1765.156	1-1/4"	1765.156
		6 or 7	1-1/4"	1765.219	1-1/4"	No Collar	1-11/16"	1765.656					1-1/4"	1765.156	1-11/16"	1765.719	1-3/8"	1765.375	1-3/8"	1765.375		
		6 or 7	1-3/8"	1765.344	1-3/8"	N/A								1-1/2"	1765.500							
Lenoir (LN)	6	1-1/8"	1765.094	1-1/8"	N/A	1-1/2"	1765.531	1-3/8"	1765.406	1-11/16"	1765.750	1-1/8"	1765.187	1-1/2"	1765.563	1-1/4"	1765.281	1-1/4"	1765.563	1-1/4"	1765.281	
	6 or 7	1-1/4"	1765.281	1-1/4"	No Collar	1-11/16"	1765.750					1-1/4"	1765.281	1-11/16"	1765.750	1-3/8"	1765.469	1-3/8"	1765.469			
	6 or 7	1-3/8"	1765.406	1-3/8"	N/A								1-1/2"	1765.563								
Copenhagen (R)	6	1-1/8"	KP4	1-1/8"	N/A	1-1/2"	1765.406	1-3/8"	1765.312	1-11/16"	1765.594	1-1/8"	1765.094	1-1/2"	1765.469	1-1/4"	1765.656	1-1/4"	1765.344	1-1/4"	1765.344	
	6 or 7	1-1/4"	1765.187	1-1/4"	No Collar	1-11/16"	1765.594					1-1/4"	1765.219	1-11/16"	1765.656	1-3/8"	1765.344	1-3/8"	1765.344			
	6 or 7	1-3/8"	1765.312	1-3/8"	N/A								1-1/2"	1765.469								
Camden (CN)	6	1-1/8"	N/A	1-1/8"	N/A	1-1/2"	1765.062	1-3/8"	N/A	1-11/16"	1765.250	1-1/8"	N/A	1-1/2"	1765.125	1-1/4"	1765.344	1-1/4"	No Collar	1-3/8"	No Collar	
	6 or 7	1-1/4"	No Collar	1-1/4"	No Collar	1-11/16"	1765.250					1-1/4"	No Collar	1-11/16"	1765.344	1-3/8"	1765.344	1-3/8"	No Collar			
	6 or 7	1-3/8"	N/A	1-3/8"	N/A								1-1/2"	1765.125								
2" (51)	SL	6	1-1/8"	N/A	1-1/8"	N/A	1-1/2"	1765.344	1-3/8"	1765.219	1-11/16"	1765.531	1-1/8"	KP4	1-1/2"	1765.375	1-1/4"	1765.563	1-1/4"	1765.094	1-1/4"	1765.094
		6 or 7	1-1/4"	1765.094	1-1/4"	N/A	1-11/16"	1765.531					1-1/4"	1765.094	1-11/16"	1765.563	1-3/8"	1765.250	1-3/8"	1765.250		
		6 or 7	1-3/8"	1765.219	1-3/8"	N/A								1-1/2"	1765.375							
Easton (CE)	6	1-1/8"	N/A	1-1/8"	N/A	1-1/2"	1765.344	1-3/8"	1765.219	1-11/16"	1765.500	1-1/8"	KP4	1-1/2"	1765.375	1-1/4"	1765.563	1-1/4"	1765.094	1-1/4"	1765.094	
	6 or 7	1-1/4"	1765.062	1-1/4"	N/A	1-11/16"	1765.500					1-1/4"	1765.094	1-11/16"	1765.563	1-3/8"	1765.250	1-3/8"	1765.250			
	6 or 7	1-3/8"	1765.219	1-3/8"	N/A								1-1/2"	1765.375								
Lenoir (LN)	6	1-1/8"	No Collar	1-1/8"	N/A	1-1/2"	1765.344	1-3/8"	1765.187	1-11/16"	1765.531	1-1/8"	No Collar	1-1/2"	1765.406	1-1/4"	1765.406	1-1/4"	1765.125	1-1/4"	1765.125	
	6 or 7	1-1/4"	1765.094	1-1/4"	N/A	1-11/16"	1765.531					1-1/4"	1765.125	1-11/16"	1765.594	1-3/8"	1765.312	1-3/8"	1765.312			
	6 or 7	1-3/8"	1765.187	1-3/8"	N/A								1-1/2"	1765.406								

*Single Cylinder Only
 N/A = Application Not Available
 Note: Copenhagen, Easton and Lenoir escutcheons discontinued. Information for reference only.

collars for use with standard escutcheon trim

Door Thickness	Escutcheon Trim Design	No. of Pins	2153, 2153S, 5153, 2123, 2123S Fixed Core Mortise Cylinders		U5153, U5153S, H.S. Fixed Core Cylinders		2196, 2196S, 5196, 2197, 2197S, 5197 LFIC Cylinders		5719, 2719 Fixed Core Hotel/Motel Cylinders		5196H, 2196H Hotel/Motel LFIC Cylinders		K100 Yale® Fixed Core Cylinders		K620, K660, K670, A620, A630 Yale® KeyMark® LFIC Cylinders		K620, K660, K670, A620, A630 Yale® KeyMark® LFIC and Best® Keyway SFC Cylinders		
			Cylinder Length	Collar Required	Cylinder Length	Collar Required	Cylinder Length	Collar Required	Cylinder Length	Collar Required	Cylinder Length	Collar Required	Cylinder Length	Collar Required	Cylinder Length	Collar Required	Cylinder Length	Collar Required	Cylinder Length
2-1/4" (57)	Copenhagen (R)	6	1-1/8"	N/A	1-1/8"	N/A	1-1/2"	1765.344	1-3/8"	1765.187	1-11/16"	1765.500	1-1/8"	N/A	1-1/2"	1765.375	1-1/4"	1765.094	
		6 or 7	1-1/4"	1765.062	1-1/4"	N/A	1-11/16"	1765.500					1-1/4"	1765.094	1-11/16"	1765.531	1-3/8"	1765.250	
		6 or 7	1-3/8"	1765.187	1-3/8"	N/A													
		6 or 7	1-1/2"	1765.344	1-1/2"	N/A													
	Camden (CN)	6	1-1/8"	N/A	1-1/8"	N/A	1-1/2"	N/A	1-3/8"	No Collar	1-11/16"	1765.156	1-1/8"	N/A	1-1/2"	N/A	1-1/4"	N/A	
		6 or 7	1-1/4"	N/A	1-1/4"	N/A	1-11/16"	1765.156					1-1/4"	N/A	1-11/16"	1765.219	1-3/8"	No Collar*	
		6 or 7	1-3/8"	No Collar	1-3/8"	N/A													
		6 or 7	1-1/2"	N/A	1-1/2"	N/A													
	SL	6	1-1/8"	N/A	1-1/8"	N/A	1-1/2"	1765.219	1-3/8"	1765.062	1-11/16"	1765.406	1-1/8"	N/A	1-1/2"	1765.250	1-1/4"	N/A	
		6 or 7	1-1/4"	N/A	1-1/4"	N/A	1-11/16"	1765.406					1-1/4"	N/A	1-11/16"	1765.469	1-3/8"	1765.156	
		6 or 7	1-3/8"	1765.062	1-3/8"	N/A													
		6 or 7	1-1/2"	1765.219	1-1/2"	N/A													
Easton (CE)	6	1-1/8"	N/A	1-1/8"	N/A	1-1/2"	1765.219	1-3/8"	1765.062	1-11/16"	1765.406	1-1/8"	N/A	1-1/2"	1765.250	1-1/4"	N/A		
	6 or 7	1-1/4"	N/A	1-1/4"	N/A	1-11/16"	1765.406					1-1/4"	N/A	1-11/16"	1765.469	1-3/8"	1765.156		
	6 or 7	1-3/8"	1765.062	1-3/8"	N/A														
	6 or 7	1-1/2"	1765.219	1-1/2"	N/A														
Lenoir* (LN)	5	1-1/8"	N/A	1-1/8"	No Collar	1-1/2"	1765.219	1-3/8"	No Collar	1-11/16"	1765.406	1-1/8"	No Collar	1-1/2"	1765.312	1-1/4"	1765.062		
	6	1-1/4"	No Collar	1-1/4"	No Collar	1-11/16"	1765.406					1-1/4"	1765.062	1-11/16"	1765.469	1-3/8"	1765.187		
	6 or 7	1-3/8"	1765.094	1-3/8"	No Collar														
	6 or 7	1-1/2"	1765.219	1-1/2"	No Collar														
Copenhagen (R)	6	1-1/8"	N/A	1-1/8"	N/A	1-1/2"	1765.187	1-3/8"	1765.062	1-11/16"	1765.375	1-1/8"	N/A	1-1/2"	1765.219	1-1/4"	N/A		
	6 or 7	1-1/4"	N/A	1-1/4"	N/A	1-11/16"	1765.375					1-1/4"	N/A	1-11/16"	1765.406	1-3/8"	1765.094		
	6 or 7	1-3/8"	1765.062	1-3/8"	N/A														
	6 or 7	1-1/2"	1765.187	1-1/2"	N/A														
Camden (CN)	6	1-1/8"	N/A	1-1/8"	N/A	1-1/2"	No Collar	1-3/8"	N/A	1-11/16"	1765.062	1-1/8"	N/A	1-1/2"	No Collar	1-1/4"	N/A		
	6 or 7	1-1/4"	N/A	1-1/4"	N/A	1-11/16"	1765.062					1-1/4"	N/A	1-11/16"	1765.062	1-3/8"	N/A		
	6 or 7	1-3/8"	N/A	1-3/8"	N/A														
	6 or 7	1-1/2"	No Collar	1-1/2"	N/A														
SL	6	1-1/8"	N/A	1-1/8"	N/A	1-1/2"	1765.062	1-3/8"	N/A	1-11/16"	1765.250	1-1/8"	N/A	1-1/2"	1765.125	1-1/4"	N/A		
	6 or 7	1-1/4"	N/A	1-1/4"	N/A	1-11/16"	1765.250					1-1/4"	N/A	1-11/16"	1765.312	1-3/8"	KP4		
	6 or 7	1-3/8"	N/A	1-3/8"	N/A														
	6 or 7	1-1/2"	1765.062	1-1/2"	N/A														
Easton (CE)	6	1-1/8"	N/A	1-1/8"	N/A	1-1/2"	1765.062	1-3/8"	N/A	1-11/16"	1765.250	1-1/8"	N/A	1-1/2"	1765.125	1-1/4"	N/A		
	6 or 7	1-1/4"	N/A	1-1/4"	N/A	1-11/16"	1765.250					1-1/4"	N/A	1-11/16"	1765.312	1-3/8"	KP4		
	6 or 7	1-3/8"	N/A	1-3/8"	N/A														
	6 or 7	1-1/2"	1765.062	1-1/2"	N/A														
Lenoir (LN)	6	1-1/8"	N/A	1-1/8"	N/A	1-1/2"	1765.094	1-3/8"	N/A	1-11/16"	1765.312	1-1/8"	N/A	1-1/2"	1765.156	1-1/4"	No Collar		
	6 or 7	1-1/4"	N/A	1-1/4"	N/A	1-11/16"	1765.312					1-1/4"	No Collar	1-11/16"	1765.375	1-3/8"	1765.062		
	6 or 7	1-3/8"	No Collar	1-3/8"	N/A														
	6 or 7	1-1/2"	1765.094	1-1/2"	N/A														

*Single Cylinder Only
 N/A = Application Not Available
 Note: Copenhagen, Easton and Lenoir escutcheons discontinued. Information for reference only.



collars for use with standard escutcheon trim

Door Thickness	Escutcheon Trim Design	No. of Pins	2153, 2153S, 5153, 2123, 2123S Fixed Core Mortise Cylinders		U5153, U5153S, H.S. Fixed Core Cylinders		2196, 2196S, 5196, 2197, 2197S, 5197 LFC Cylinders		5719, 2719 Fixed Core Hotel/Motel Cylinders		5196H, 2196H Hotel/Motel LFC Cylinders		K100 Yale® KeyMark® Fixed Core Cylinders		K820, K860 Yale® KeyMark® LFC Cylinders		K620, K630 K660, K670, A620, A630 Yale® KeyMark® and Best® Keyway SFC Cylinders			
			Cylinder Length	Collar Required	Cylinder Length	Collar Required	Cylinder Length	Collar Required	Cylinder Length	Collar Required	Cylinder Length	Collar Required	Cylinder Length	Collar Required	Cylinder Length	Collar Required	Cylinder Length	Collar Required	Cylinder Length	Collar Required
2-3/4" (70)	Copenhagen (R)	6	1-1/8"	N/A	1-1/2"	1765.062	1-3/8"	N/A	1-11/16"	1765.250	1-1/8"	N/A	1-1/2"	1765.062	1-1/2"	1765.062	1-1/4"	N/A		
		6 or 7	1-1/4"	N/A	1-11/16"	1765.250					1-1/4"	N/A	1-11/16"	1765.250	1-1/2"	1765.250	1-3/8"	N/A		
		6 or 7	1-3/8"	N/A								1-1/2"								
	Camden (CN)	6	1-1/8"	N/A	1-1/2"	N/A	1-3/8"	N/A	1-11/16"	No Collar	1-1/8"	N/A	1-11/16"	No Collar	1-1/2"	N/A	1-1/4"	N/A		
		6 or 7	1-1/4"	N/A	1-11/16"	1765.094					1-1/4"	N/A	1-11/16"	1765.094	1-1/2"	N/A	1-11/16"	No Collar	1-3/8"	N/A
		6 or 7	1-3/8"	N/A								1-1/2"								
	SL	6	1-1/8"	N/A	1-1/2"	N/A	1-3/8"	N/A	1-11/16"	N/A	1-1/8"	N/A	1-11/16"	1765.094	1-1/2"	N/A	1-1/4"	N/A		
		6 or 7	1-1/4"	N/A	1-11/16"	1765.094					1-1/4"	N/A	1-11/16"	1765.094	1-1/2"	N/A	1-11/16"	No Collar	1-3/8"	N/A
		6 or 7	1-3/8"	N/A								1-1/2"								
	Easton (CE)	6	1-1/8"	N/A	1-1/2"	N/A	1-3/8"	N/A	1-11/16"	N/A	1-1/8"	N/A	1-11/16"	1765.094	1-1/2"	N/A	1-1/4"	N/A		
		6 or 7	1-1/4"	N/A	1-11/16"	1765.094					1-1/4"	N/A	1-11/16"	1765.094	1-1/2"	N/A	1-11/16"	No Collar	1-3/8"	N/A
		6 or 7	1-3/8"	N/A								1-1/2"								
Lenoir® (LN)	6	1-1/8"	N/A	1-1/2"	1765.062	1-3/8"	N/A	1-11/16"	1765.062	1-1/8"	N/A	1-11/16"	1765.156	1-1/2"	1765.062	1-1/4"	N/A			
	6 or 7	1-1/4"	N/A	1-11/16"	1765.156					1-1/4"	N/A	1-11/16"	1765.156	1-1/2"	1765.219	1-3/8"	N/A			
	6 or 7	1-3/8"	N/A								1-1/2"									
3" (76)	Copenhagen (R)	6	1-1/8"	N/A	1-1/2"	1765.062	1-3/4"	N/A	1-11/16"	N/A	1-1/8"	N/A	1-11/16"	1765.094	1-1/2"	N/A	1-1/4"	N/A		
		6 or 7	1-1/4"	N/A	1-11/16"	1765.094					1-1/4"	N/A	1-11/16"	1765.094	1-1/2"	N/A	1-11/16"	1765.156	1-3/8"	N/A
		6 or 7	1-3/8"	N/A								1-1/2"								
	Camden (CN)	6	1-1/8"	N/A	1-1/2"	N/A	1-3/4"	N/A	1-11/16"	N/A	1-1/8"	N/A	1-11/16"	N/A	1-1/2"	N/A	1-1/4"	N/A		
		6 or 7	1-1/4"	N/A	1-11/16"	N/A					1-1/4"	N/A	1-11/16"	N/A	1-1/2"	N/A	1-11/16"	No Collar	1-3/8"	N/A
		6 or 7	1-3/8"	N/A								1-1/2"								
	SL	6	1-1/8"	N/A	1-1/2"	N/A	1-3/4"	N/A	1-11/16"	N/A	1-1/8"	N/A	1-11/16"	N/A	1-1/2"	N/A	1-1/4"	N/A		
		6 or 7	1-1/4"	N/A	1-11/16"	N/A					1-1/4"	N/A	1-11/16"	N/A	1-1/2"	N/A	1-11/16"	1765.062	1-3/8"	N/A
		6 or 7	1-3/8"	N/A								1-1/2"								
	Easton (CE)	6	1-1/8"	N/A	1-1/2"	N/A	1-3/4"	N/A	1-11/16"	N/A	1-1/8"	N/A	1-11/16"	N/A	1-1/2"	N/A	1-1/4"	N/A		
		6 or 7	1-1/4"	N/A	1-11/16"	N/A					1-1/4"	N/A	1-11/16"	N/A	1-1/2"	N/A	1-11/16"	1765.062	1-3/8"	N/A
		6 or 7	1-3/8"	N/A								1-1/2"								
Lenoir (LN)	6	1-1/8"	N/A	1-1/2"	1765.062	1-3/4"	N/A	1-11/16"	1765.062	1-1/8"	N/A	1-11/16"	1765.062	1-1/2"	N/A	1-1/4"	N/A			
	6 or 7	1-1/4"	N/A	1-11/16"	1765.062					1-1/4"	N/A	1-11/16"	1765.062	1-1/2"	N/A	1-11/16"	1765.125	1-3/8"	N/A	
	6 or 7	1-3/8"	N/A								1-1/2"									

*Single Cylinder Only
 N/A = Application Not Available
 Note: Copenhagen, Easton and Lenoir escutcheons discontinued. Information for reference only.



collars for use with standard escutcheon trim

Door Thickness	Escutcheon Trim Design	No. of Pins	2153, 2153S, 5153, 2123, 2123S Fixed Core Mortise Cylinders		U5153, U5153S, H.S. Fixed Core Cylinders		2196, 2196S, 5196, 2197, 2197S, 5197 LFIC Cylinders		5719, 2719 Fixed Core Hotel/Motel Cylinders		5196H, 2196H Hotel/Motel LFIC Cylinders		K100 Yale® KeyMark® Fixed Core Cylinders		K820, K860 Yale® KeyMark® LFIC Cylinders		K620, K630 K660, K670, A620, A630 Yale® KeyMark® and Best® Keyway SFIC Cylinders		
			Cylinder Length	Collar Required	Cylinder Length	Collar Required	Cylinder Length	Collar Required	Cylinder Length	Collar Required	Cylinder Length	Collar Required	Cylinder Length	Collar Required	Cylinder Length	Collar Required	Cylinder Length	Collar Required	
3-1/4" (89)	Copenhagen (R)	6	1-1/8"	N/A	1-1/8"	N/A	1-1/2"	N/A	1-3/8"	N/A	1-11/16"	1765.062	1-1/8"	..	1-1/2"	..	1-1/4"	..	
		6 or 7	1-1/4"	N/A	1-11/16"	N/A	1-3/8"	N/A	1-11/16"	1765.062	1-1/4"	..	1-1/2"	..	1-11/16"	..	1-3/8"	..	
		6 or 7	1-3/8"	N/A	N/A	N/A	N/A	N/A	N/A	N/A	N/A	N/A	N/A	N/A	N/A	N/A	N/A	N/A	N/A
		6 or 7	1-1/2"	N/A	N/A	N/A	N/A	N/A	N/A	N/A	N/A	N/A	N/A	N/A	N/A	N/A	N/A	N/A	N/A
		6 or 7	1-5/8"	N/A	N/A	N/A	N/A	N/A	N/A	N/A	N/A	N/A	N/A	N/A	N/A	N/A	N/A	N/A	N/A
		6 or 7	1-3/4"	1765.062	1-3/4"	N/A	N/A	N/A	N/A	N/A	N/A	N/A	N/A	N/A	N/A	N/A	N/A	N/A	N/A
	Camden (CN)	6 or 7	1-7/8"	1765.125	1-7/8"	N/A	N/A	N/A	N/A	N/A	N/A	N/A	N/A	N/A	N/A	N/A	N/A	N/A	N/A
		6	1-1/8"	N/A	1-1/2"	N/A	1-1/2"	N/A	1-3/8"	N/A	1-11/16"	1765.062	1-1/8"	..	1-1/2"	..	1-1/4"	..	
		6 or 7	1-1/4"	N/A	1-11/16"	N/A	1-3/8"	N/A	1-11/16"	N/A	1-1/4"	..	1-1/4"	..	1-11/16"	..	1-3/8"	..	
		6 or 7	1-3/8"	N/A	N/A	N/A	N/A	N/A	N/A	N/A	1-1/2"	..	1-1/2"	..	1-11/16"	..	1-3/8"	..	
		6 or 7	1-1/2"	N/A	N/A	N/A	N/A	N/A	N/A	N/A	N/A	N/A	N/A	N/A	N/A	N/A	N/A	N/A	
		6 or 7	1-5/8"	N/A	N/A	N/A	N/A	N/A	N/A	N/A	N/A	N/A	N/A	N/A	N/A	N/A	N/A	N/A	
SL	6 or 7	1-3/4"	N/A	1-3/4"	N/A	1-3/4"	N/A	1-3/8"	N/A	1-3/8"	N/A	1-11/16"	1765.062	1-1/4"	..	1-11/16"	..		
	6 or 7	1-7/8"	No Collar	1-7/8"	N/A	1-7/8"	N/A	1-3/8"	N/A	1-3/8"	N/A	1-11/16"	1765.062	1-1/2"	..	1-11/16"	..		
	6	1-1/8"	N/A	1-1/8"	N/A	1-1/2"	N/A	1-3/8"	N/A	1-3/8"	N/A	1-11/16"	1765.062	1-1/2"	..	1-1/2"	..		
	6 or 7	1-1/4"	N/A	1-1/4"	N/A	1-11/16"	N/A	1-3/8"	N/A	1-3/8"	N/A	1-11/16"	1765.062	1-1/4"	..	1-11/16"	..		
	6 or 7	1-3/8"	N/A	1-3/8"	N/A	1-1/2"	N/A	1-3/8"	N/A	1-3/8"	N/A	1-11/16"	1765.062	1-1/2"	..	1-11/16"	..		
	6 or 7	1-1/2"	N/A	1-1/2"	N/A	1-1/2"	N/A	1-3/8"	N/A	1-3/8"	N/A	1-11/16"	1765.062	1-1/2"	..	1-11/16"	..		
Easton (CE)	6 or 7	1-5/8"	N/A	1-5/8"	N/A	1-5/8"	N/A	1-3/4"	N/A	1-3/4"	N/A	1-11/16"	1765.062	1-1/2"	..	1-1/2"	..		
	6 or 7	1-3/4"	N/A	1-3/4"	N/A	1-3/4"	N/A	1-3/8"	N/A	1-3/8"	N/A	1-11/16"	1765.062	1-1/4"	..	1-11/16"	..		
	6	1-1/8"	N/A	1-1/8"	N/A	1-1/2"	N/A	1-3/8"	N/A	1-3/8"	N/A	1-11/16"	1765.062	1-1/2"	..	1-1/2"	..		
	6 or 7	1-1/4"	N/A	1-1/4"	N/A	1-11/16"	N/A	1-3/8"	N/A	1-3/8"	N/A	1-11/16"	1765.062	1-1/4"	..	1-11/16"	..		
	6 or 7	1-3/8"	N/A	1-3/8"	N/A	1-1/2"	N/A	1-3/8"	N/A	1-3/8"	N/A	1-11/16"	1765.062	1-1/2"	..	1-11/16"	..		
	6 or 7	1-1/2"	N/A	1-1/2"	N/A	1-1/2"	N/A	1-3/8"	N/A	1-3/8"	N/A	1-11/16"	1765.062	1-1/2"	..	1-11/16"	..		
Lenoir (LN)	6 or 7	1-5/8"	N/A	1-5/8"	N/A	1-5/8"	N/A	1-3/4"	N/A	1-3/4"	N/A	1-11/16"	1765.062	1-1/2"	..	1-1/2"	..		
	6 or 7	1-3/4"	No Collar	1-3/4"	N/A	1-3/4"	N/A	1-3/8"	N/A	1-3/8"	N/A	1-11/16"	1765.062	1-1/4"	..	1-11/16"	..		
	6	1-1/8"	N/A	1-1/8"	N/A	1-1/2"	N/A	1-3/8"	N/A	1-3/8"	N/A	1-11/16"	1765.062	1-1/2"	..	1-1/2"	..		
	6 or 7	1-1/4"	N/A	1-1/4"	N/A	1-11/16"	N/A	1-3/8"	N/A	1-3/8"	N/A	1-11/16"	1765.062	1-1/4"	..	1-11/16"	..		
	6 or 7	1-3/8"	N/A	1-3/8"	N/A	1-1/2"	N/A	1-3/8"	N/A	1-3/8"	N/A	1-11/16"	1765.062	1-1/2"	..	1-11/16"	..		
	6 or 7	1-1/2"	N/A	1-1/2"	N/A	1-1/2"	N/A	1-3/8"	N/A	1-3/8"	N/A	1-11/16"	1765.062	1-1/2"	..	1-11/16"	..		

*Single Cylinder Only
 **Consult Factory
 N/A = Application Not Available
 Note: Copenhagen, Easton and Lenoir escutcheons discontinued. Information for reference only.



strikes

Yale® 8800 series mortise locks are supplied standard with a 2815 Curved Lip Strike with a 1-1/4" (32mm) lip length. The strike supplied will accommodate the locking function, i.e. latchbolt and/or deadbolt, and can be installed on doors 1-3/4" (44mm) thick. These strikes are non-handed.

Longer/Shorter Lip Lengths:

Mortise Lock Strikes are mounted 3/8" above the center line of the lock. To determine the proper length of lip use the following formula:

1/2 of the door thickness, plus 1/16" inset, plus trim thickness, plus 1/8" for flat lip strike OR 1/4" for curved lip strike. Select the nearest available length.

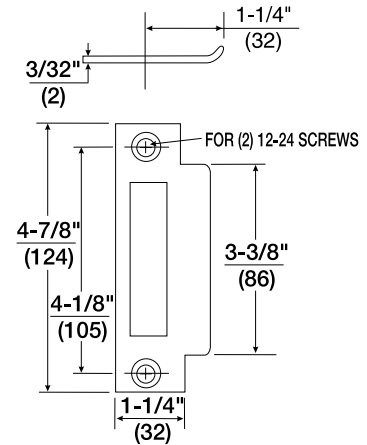
2815 Curved Lip:

- 1-1/4" (32mm) standard
- To special order
- 1-1/8" (29mm)
- 1-3/8" (35mm)
- 1-1/2" (38mm)
- 1-5/8" (41mm)
- 1-3/4" (44mm)
- 1-7/8" (48mm)
- 2" (51mm)
- 2-1/8" (54mm)
- 2-1/4" (57mm)

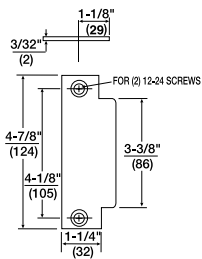
2816 Flat Lip:

- To special order,
- 7/8" (22mm)
- 1" (25mm)
- 1-1/8" (29mm)
- 1-1/4" (32mm)
- 1-1/2" (38mm)
- 1-3/4" (44mm)
- 2" (51mm)
- 2-1/4" (57mm)
- 2-1/2" (64mm)

Material: Brass, Bronze, Stainless Steel.



optional strikes

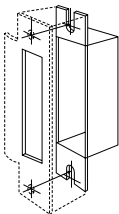
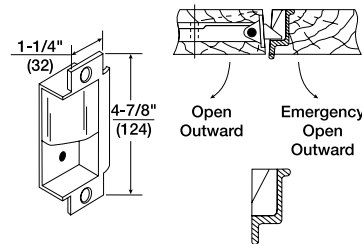


497B ANSI Blank Filler Plate: Reversible to replace a strike where a lock has been removed or where a frame with a strike preparation when no lock is installed on a door. Lip Lengths: 1-1/8" (29mm) only.

Material: Brass, Bronze, Stainless Steel.

718 Open Back Strike: Field handable for a standard V-beveled pair of doors with a latchbolt only function on the active door. This strike permits emergency opening of the inactive door without damaging the lock mechanism. Available for doors 1-3/4" or 2-1/4" thick only. Specify the door thickness required.

Material: Stainless Steel, Black Nylon Coated.



202 Strike Box: Reversible for installation with all Flat or Curved Lip Strikes. Available to special order only.

Material: Wrought Steel, Zinc Plated, Dichromated.

miscellaneous

rabbeted door kits

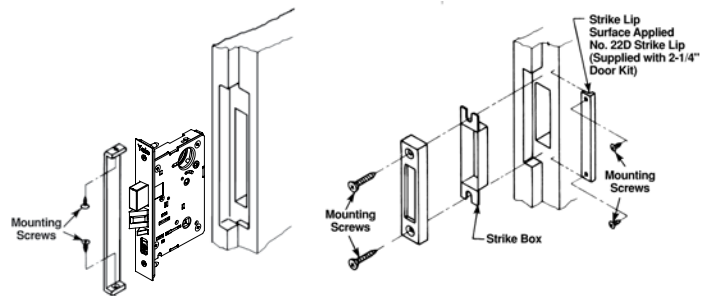
The Yale® 8800 series mortise lock can be installed on a pair of doors with a standard 1/2" (13mm) step rabbet. Kits are available which adapt these locks to the rabbeted doors. These kits contain a 1/2" (13mm) standard step rabbet strip for the active door, a strike, a strike box, and, depending on the door thickness, a strike lip. They are available for doors 1-3/4" (44mm), 2" (51mm) and 2-1/4" (57mm) thick. All components of these kits are reversible.

To order a complete Yale mortise lock with a Rabbet Door Kit, suffix the lock model number with a Rabbeted Door by door thickness, hand and finish required, i.e. AU8807 x Rabbeted Door x 1-3/4" x RH x 626.

Kits for rabbeted doors can be ordered by model number separately from the accompanying chart. When ordered separately, specify the finish required.

Door Thickness	Rabbeted Door Kit Model No.	Strike Model No.
1-3/4" 2"	RK245	22E

These kits contain the above components plus a No. 22D strike lip with attaching screws for doors above 2".



miscellaneous trim design

GF1824 Thumbturn and Round Plate

Supplied as standard on all locks with round rose sectional trim or lock functions with no roses.

Thumbturn: Cast Zinc.

Plate: 1-7/8" (48mm) Diameter, Brass, Bronze, Simulated Stainless Steel.

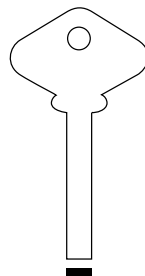
GF1826-Plate Only
- Used for outside of 8802 Privacy Lock.



emergency key

E203

Used with 8802 privacy lock and 8862 bathroom lock for emergency access from outside.



attaching screws

GF1824 and GF1826

No. 6 x 3/8" (10mm) type "AB", Oval Phillips Head sheet metal screw, stainless steel plated to match trim (P/N 81-3173-0308). Specify finish required.



occupancy indicators

privacy function indicator

This indicator can be ordered as an option with the 8802 (privacy) and 8862 (bathroom) functions. Available for all lever and knob trim designs.

The privacy occupancy indicator can be ordered with locksets by specifying IND as an option. It can be ordered separately as a retrofit kit for sectional trim by specifying model number IND-K and required finish and for escutcheon trim by specifying CN88 x 261 x finish (available for CN escutcheon only).

When specifying option IND, the lockset will be provided with an indicator that shows the room is either occupied (locked icon/red background) when deadbolt is thrown or vacant (unlocked icon/green background) when deadbolt is retracted.



Deadbolt Thrown
Locked icon/Red background



Deadbolt Retracted
Unlocked icon/Green background

cylinder function indicator

The cylinder indicator is standard with the 8820 (hotel guest), 8827 (hotel/motel), and 8864 (bathroom) functions and can be ordered as an option with 8832 (hotel/motel), 8822 (dormitory) and 8818-2 (classroom security intruder) functions. Available for all lever and knob trim designs. Note: Cylinder indicator is not available for use with R1, R2, R3, R4, or R5 roses.

The cylinder occupancy indicator can be ordered with locksets by specifying IND as an option. It can be ordered separately as a retrofit kit for sectional trim by specifying model number CIND-K and required finish and for escutcheon trim by specifying CN88 x 260 x finish (without cointurn) or CN88 x 262 x finish (with cointurn). When ordered separately, cylinder not included (available for CN escutcheon only).



Deadbolt Thrown
Locked icon/Red background



Deadbolt Retracted
Unlocked icon/Green background



how to order

ordering information

From this outline select the model number for the Yale® 8800 series mortise lockset you require.

Trim Design	Lock Series/ Function	*Cylinder	Hand	Door Thickness	Finish	Highest Keying Level	Supplementary Specifications/Options
AU x CN	8807FL	2153	RH	1-3/4"	626	GM	<ul style="list-style-type: none"> - Lead Lined - Knurled - Abrasive coated - Specific keying - 7-pin cylinders - Specific strike requirements, i.e. special lip length, curved, open back - Special attachment or special head screws - Specify in detail for split finish (indicate outside finish first regardless of hand of door - but for RHR and LHR doors indicate the finish desired for front and strike). - Voltage for electrified
See Pages 6-13	See Pages 14-23	See Pages 28-30	See Page 42	See Page 3	See Page 2	"Level One" - KA or KD "Level Two" - MK "Level Three" - GM "Level Four" - GGM	

***If other than standard cylinder is required, specify by Model Number.**



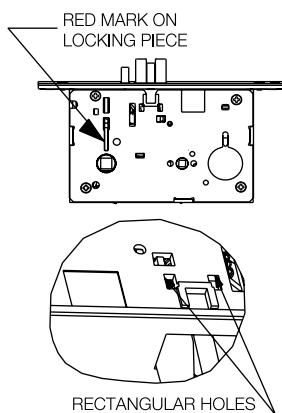
handing

handing the 8800 mortise lock

Units Shipped Prior To March 2012

HANDING THE LATCHBOLT

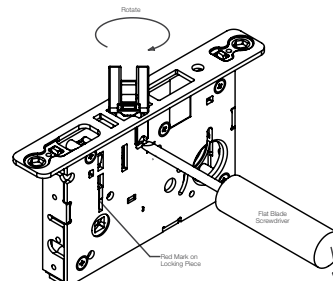
1. Locate and depress spring plate mechanism in one of the rectangular holes.
2. While depressing spring plate pull latchbolt head.
3. Rotate head for desired handing.
4. Push head into lockbody until secured.
5. Operate several times to insure operation.



Units Shipped After March 2012

HANDING THE LATCHBOLT

1. Insert a flat blade screwdriver into cover slot.
2. Pull back on screwdriver until latchbolt extends past the base front.
3. Rotate head to desired position.



HANDING THE HUBS (LEVER OPERATION)

1. Locate the red mark on locking piece
2. The red mark indicates the locked side
3. Push toggle button to the "Unlock" position
4. With a flat blade screwdriver push red mark on locking piece to rotate locking piece 180° to the desired location
5. The locking piece must be fully rotated 180° for proper operation

hand of doors

The outside is the key side of an entrance door or the corridor side of a room door. The outside of a single communicating door is the side opposite the hinges. The outside of twin communicating doors is the space between the doors.



Left Hand: Hinges on left, opens inward. For handed locks, specify LH.



Right Hand: Hinges on right, opens inward. For handed locks, specify RH.



Left Hand Reverse: Hinges on left, opens outward. For handed locks, specify LHR.



Right Hand Reverse: Hinges on right, opens outward. For handed locks, specify RHR.



8800 series | grade 1 mortise locks

notes _____



online literature and templates

For the latest information on Yale Locks & Hardware products, visit our website at: www.yalelocks.com

Click on the “Product Information” button to find:

- Catalogs
- Parts manuals
- Templates
- Specifications
- Installation instructions

Yale® customers can click on the ebusiness symbol  on the website to register for an ebusiness account to:

- Check the status of orders
- Check availability of QuickShip items
- Track your order and confirm delivery
- Receive email notification of template changes
- And More...

Or contact us at:

U.S.A.

Yale Locks & Hardware

Address: 225 Episcopal Road, Berlin, CT 06037-4004

Tel: 1-800-438-1951 • Fax: 1-800-338-0965 • www.yalelocks.com

Canada:

ASSA ABLOY Door Security Solutions Canada

Address: 160 Four Valley Drive, Vaughan, Ontario L4K 4T9

Tel: 1-800-461-3007 • Fax: 1-800-461-8989 • www.assaabloy.ca

International:

ASSA ABLOY Americas International

Tel: 1-905-821-7775 • Fax: 1-905-821-1429 • www.assaabloyai.com

Yale Locks & Hardware is a division of Yale Security Inc., an ASSA ABLOY Group company.

Yale®, MicroShield®, SecureX® and Reflections® are registered trademarks of Yale Security Inc., an ASSA ABLOY Group company. KeyMark® is a registered trademark of Medeco Security Locks, Inc., and ASSA ABLOY Group company. Other products' brand names may be trademarks or registered trademarks of their respective owners and are mentioned for reference purposes only. These materials are protected under Copyright© 2004, 2014, Yale Security Inc., an ASSA ABLOY Group company. All rights reserved. Reproduction in whole or in part without the express written permission of the Yale Security Inc., an ASSA ABLOY Group company, is prohibited.

Yale, with its unique global reach and range of products, is the world's favorite lock.

ASSA ABLOY is the global leader in door opening solutions, dedicated to satisfying end-user needs for security, safety and convenience.

42002-10/14RE